

ONE PIECE PLAQUE DIFFUSERS

Neck Size (mm)	Order Code
225 x 225	DCT2012
300 x 300	DCT2013
360 x 360	DCT2014

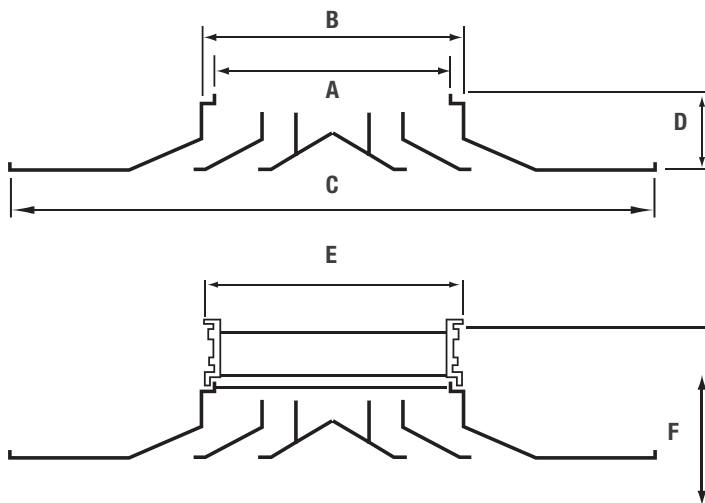
- One piece pressed aluminium, powder coated white.
- Removable core, no joints, smooth airflow.
- Poly neck adaptors and side entry cushion boxes see page 133



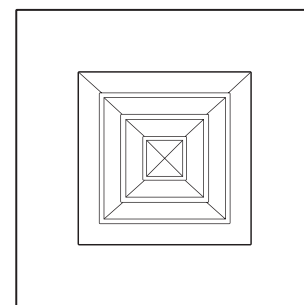
300 x 300 One Piece Plaque Diffuser

DIMENSION INFORMATION

Neck Size (mm)	A (mm)	B (mm)	C (mm)	D (mm)	E (mm)	F (mm)
225 x 225	207	220	595	45	212	85
300 x 300	278	294	595	45	285	85
360 x 360	355	369	595	45	360	85



Side View



Front View