

RATING/SPECIFICATIONS

For all electrical power and IP ratings refer to the fan rating and wiring label.

All fans are double insulated, manufactured to comply with:
EN60335-2-80:1997 and are CE marked

IMPORTANT

- **Isolate the main supply before making any electrical connections. This system should be installed by a qualified electrician.**
- **When fitting through an external wall, an external grille must be fitted at all times.**
- **Fan should only be installed by fixed wiring, a flexible cord should not be used.**
- **The appliance is not intended for use by young children or infirm persons without supervision.**
- **Young children should be supervised to ensure that they do not play with the appliance.**
- **Precautions must be taken to avoid the back-flow of gases into the room from the open flue of gas or other open-fire appliances when mounted in outside windows or walls.**

We reserve the right to change specification without prior warning



Manrose is proudly distributed by Simx Limited
PO Box 14 347, Panmure, Auckland, NZ. Technical Support (09) 259 1662
e: sales@simx.co.nz | www.simx.co.nz | www.manrose.com.au

INSTALLATION INSTRUCTIONS

MANROSE
CLASSIC SERIES

MANROSE XFS230/300 & XPS230/300 RANGE OF EXTRACTOR FANS.

Thank you for selecting the Manrose XFS/XPS range. Please read all instructions before commencing installation.

- NOTE:(i) For best results this Extractor Fan should be fitted as high on the wall as possible, or if preferred, on the ceiling. (Not Pullcord Model)
- (ii) Do not install the unit within a shower cubicle or anywhere else where there is a high risk of the fan being sprayed with water.
- (iii) Switch off mains supply before making electrical connections. If in any doubt contact a qualified electrician.
- (iv) This fan is double insulated and does not require an earth.
- (v) When installing fan through an external wall, an external wall grille must be fitted at all times.
1. Cut a hole in the wall to suit the fan and duct. Please note that the maximum hole size is equal to the diameter of duct (see column E in dimensions table). If the fan is to be fixed in the ceiling ensure that the hole is between the joists.
 2. Fit suitable ducting flush to the plaster.
 3. Remove the cover from the fan by removing the two small screw caps on the front cover and remove the two retaining Philips screws.
 4. Hold the body of the fan against the wall or ceiling and mark the four screw holes and the cable entry.
IMPORTANT: Ensure that the fan is square on wall or ceiling.
 5. Bring power cable into position, as marked. Allow an extra 350mm protruding to facilitate connection. Fan should only be installed by fixed wiring, a flexible cord should not be used.
 6. When installing the external grille first take the grille insert out using a flat screwdriver (as shown in Fig 3), and then drill 4 holes in the corners, mark screw holes on the wall, and fix external grille (see Fig 4).

DIMENSIONS XFS230/300 RANGE

FIG 1

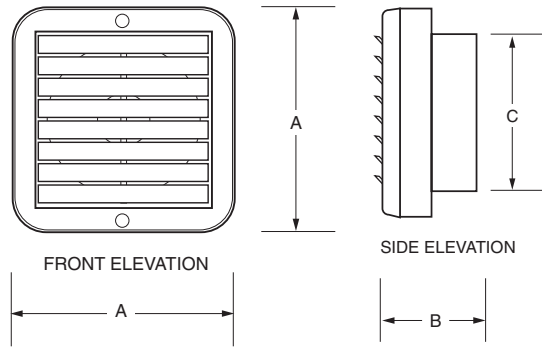
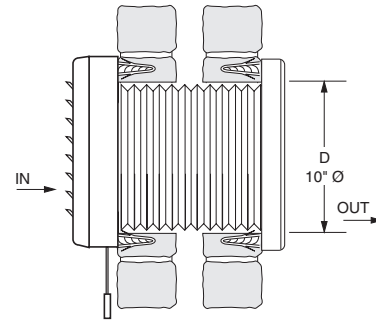


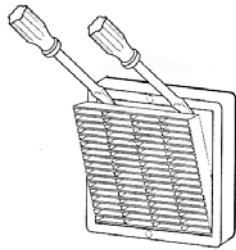
FIG 2



IMPORTANT NOTE:

If equipped, Automatic Shutters incorporate a thermally activated mechanism that opens and closes the shutters. When the unit is turned on and off shutters will take approximately 45 seconds to respond.

FIG 3

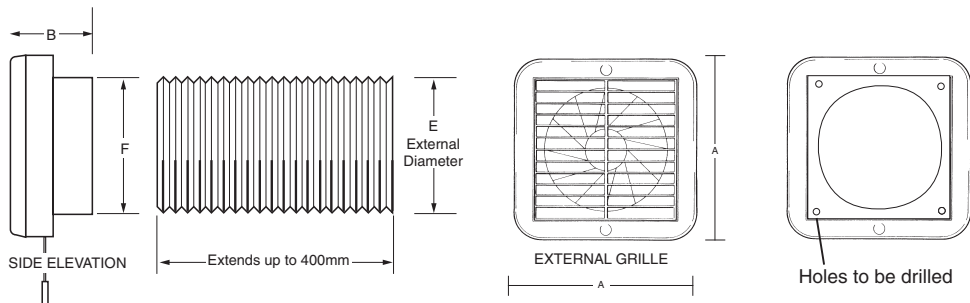


EXTERNAL GRILLE

KEY TO DIMENSIONS FOR XFS230/300 AND XPS230/300 RANGE						
	A	B	C	D	E	F
XF/XP 230	286 mm	112 mm	235 mm	255 mm	265 mm	230 mm
XF/XP 300	365 mm	150 mm	285 mm	310 mm	300 mm	285 mm

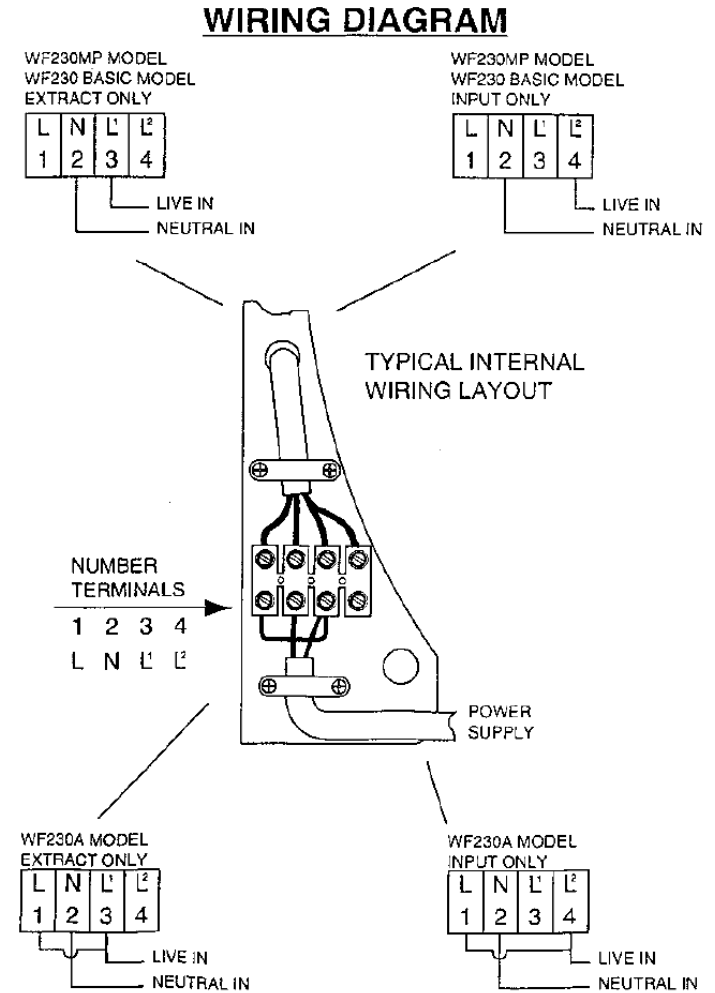
DIMENSIONS XPS230/300 RANGE

FIG 4



WIRING DIAGRAM

Typical Internal Wiring layout - All Base Model



Note:

Extraction of air - Live supply connected to terminal 3 (L¹) as shown
Supply of air - Connect live to terminal 4 (L²).