

# WhisperVent Ceiling Fan



## 150mm Centrifugal Ceiling Mount Fan

Low Profile, highly efficient ducted ceiling fan complete with backdraught shutter and side outlet. Designed to be installed in confined ceiling spaces such as apartments or multi storey offices.

- Centrifugal fan assists 'whisper quiet' operation
- Classic white finish
- Reliable, longer lasting ball bearing motor
- 150mm duct outlet with backdraught shutter included
- Side vented for ease of installation
- Plug and lead supplied

### MODEL

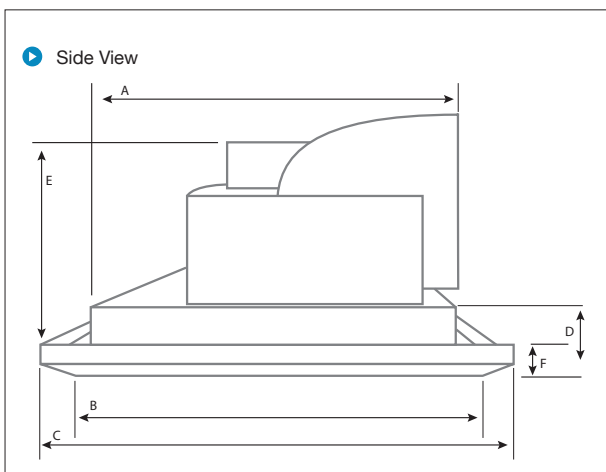
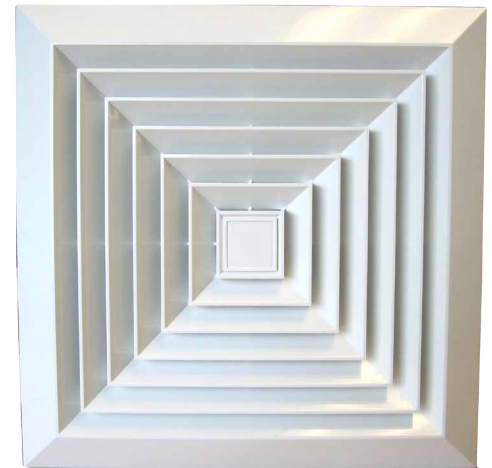
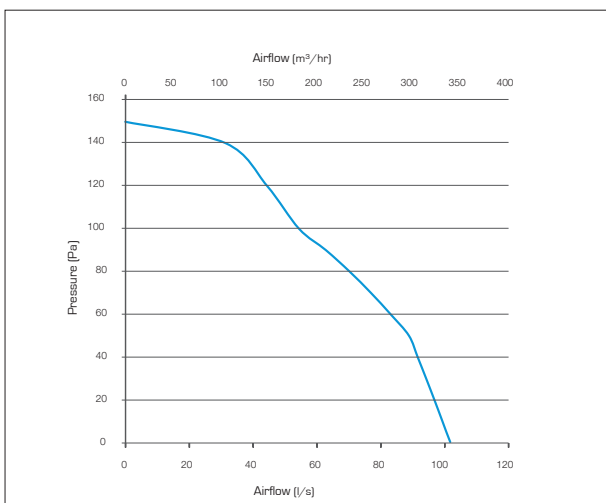
Duct Size (mm)	Description	Order Code
150mm	Simx WhisperVent Ceiling Fan	FAN2465

### TECHNICAL DATA

Voltage	Frequency	Power	Air Performance	Sound Level
220~240VAC	50Hz	42W	100l/s, 360m <sup>3</sup> /hr	≤44dB(A)



### FAN PERFORMANCE



### DIMENSIONS INFORMATION

Duct Size	A	B	C	D	E	F	Cut-Out
150mm	310	330	370	37	184	30	320 x 320

**3 YEAR WARRANTY**