

# TECHNICAL DATA

## DIMENSION INFORMATION

### DIMENSION SPECIFICATION (mm) - HAND DRYERS

Model	A	B	C
TEMPEST	201	277	175
MAN/M-88A	225	275	160
MAN/A-89	225	275	160
MAN/E-88A	284	248	202

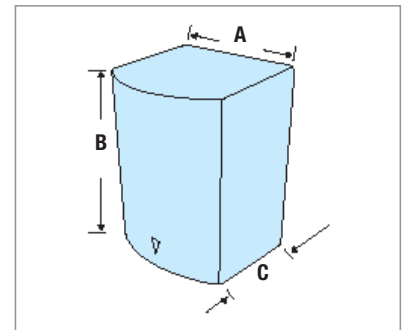
### TECHNICAL SPECIFICATION - VENT-AXIA

Models	TEMPEST	TEMPEST SATIN
<b>Power</b>	220 - 240V	220 - 240V
<b>Cover</b>	Stainless Steel	Stainless Steel
<b>Colour</b>	White	Stainless Satin Steel
<b>Air Volume</b>	56 l/s, 200m <sup>3</sup> /hr	56 l/s, 200m <sup>3</sup> /hr
<b>Operation</b>	No touch infra-red detection	No touch infra-red detection
<b>Heater Element</b>	450 - 900W adjustable	450 - 900W adjustable
<b>Power</b>	1.6kW @ 240V	1.6kW @ 240V
<b>Dry Time</b>	10 -15 secs	10-15 secs
<b>Sound Level</b>	74 dB(A)	74 dB(A)
<b>Weight</b>	7.0kg	7.0kg

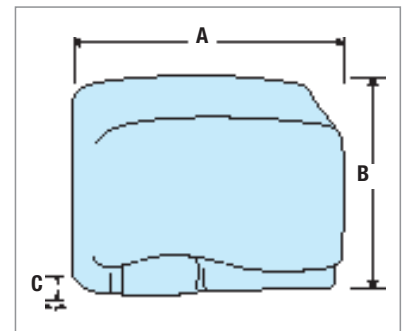
### TECHNICAL SPECIFICATION - MANROSE

Models	MAN/M-88A	MAN/A-89	MAN/E-88A
<b>Power</b>	220 - 240V	220 - 240V	220 - 240V
<b>Cover</b>	ABS Thermoplastic	3mm Aluminium	Steel 2mm Porcelain Enamel
<b>Colour</b>	White	White, Silver, Black	White
<b>Fan Performance</b>	56 l/s, 200m <sup>3</sup> /hr	108 l/s, 388m <sup>3</sup> /hr	130 l/s, 470m <sup>3</sup> /hr
<b>Operation</b>	No touch infra-red detection	No touch infra-red detection	No touch infra-red detection
<b>Power</b>	1.5kW @ 240V	2.0kW @ 240V	2.4kW @ 240V
<b>Sound Level</b>	54 dB(A)	69 dB(A)	70 dB(A)
<b>Weight</b>	3.3kg	4.7kg	7.5kg

▶ Dimensions - Tempest



▶ Dimensions - MAN/M-88A, A-89, A-89S A-89B



▶ Dimensions - MAN/E-88A

