

Heat-Fan-Light Systems / Heat-Light Systems

These multi-function Heat-Fan-Light systems are designed to meet the higher operational demands of both small and large bathrooms. Fans incorporate a unique anti-condensate design and efficient LED centre lamps. All systems are supplied with duct, grille and wall switch. 5 year warranty.

The FAN2200 Heat-Light systems is designed to provide instant heat and additional lighting. A 150mm inline extraction fan kit, or Blue Jet fan and ducting combination, along with a 150-100mm reducer, can be added for a complete HEAT-FAN-LIGHT solution. 5 year warranty.

Heat-Fan-Light Systems


Designer SATIN Low Profile	Duct (mm)	Fan Type	Total Watts (W)	Free Air Fan Performance		Heat Lamps	Fascia	Order Code
				(l/s)	(m ³ /hr)			
	125	Centrifugal	1138	84	303	4 x 275W	White	FAN6882
							Silver	FAN6883
	125	Centrifugal	588	75	270	2 x 275W	White	FAN6880
							Silver	FAN6881

Pro-Series Low Profile	Duct (mm)	Fan Type	Total Watts (W)	Free Air Fan Performance		Heat Lamps	Fascia	Order Code
				(l/s)	(m ³ /hr)			
	125	Centrifugal	1180	60	216	4 x 275W	White	FAN0995
							White	FAN0940
	125	Centrifugal	635	50	180	2 x 275W	White	FAN0940
							White	FAN0940

Classic Standard Profile	Duct (mm)	Fan Type	Total Watts (W)	Free Air Fan Performance		Heat Lamps	Fascia	Order Code
				(l/s)	(m ³ /hr)			
	100	Centrifugal	670	35	126	2 x 275W	White	FAN2162

Note: Installed system performance is always influenced by duct length and layout

Heat-Light Systems¹⁾

Classic Standard Profile	Duct (mm)	Total Watts (W)	Heat Lamps	Fascia	Order Code
	100	650	2 x 275W	White	FAN2200

1) Note: Heat and light unit only - ready for the addition of an inline fan system (Order sperately).

Accessories

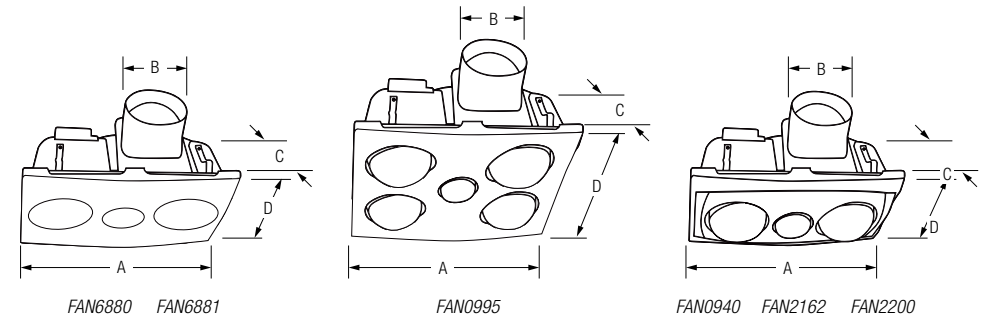
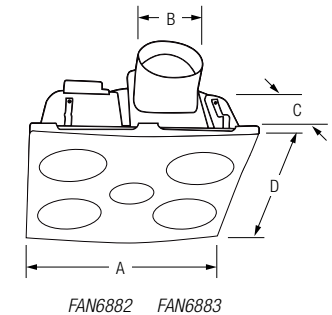
Description	Chrome
275W Heat Lamp	LHT0081
LED Replacement Lamp for SATIN Units	LHT1107
LED Replacement Lamp for Pro-Series and Classic Units	LHT0211

Note: Free Air Fan Performances for FAN0995, FAN0940 and FAN2162 are actually installed system rates for 3 metres of duct, one 90 degree bend and one external grille.

Heat-Fan-Light Systems / Heat-Light Systems

Dimensions (mm)

Model	Cut-Out Size	A	B	C	D
FAN6882 FAN6883	320 x 320	370	125	210	370
FAN6880 FAN6881	375 x 202	419	125	198	244
FAN0995	300 x 300	338	120	170	338
FAN0940	390 x 220	435	120	185	260
FAN2162 FAN2200	390 x 220	450	100	195	250



Technical

Model	FAN6882 FAN6883	FAN6880 FAN6881	FAN0995	FAN0940	FAN2162	FAN2200
Supply	220-240V AC, 50Hz					
Light	LED 4000K	LED 4000K	LED 3000K	LED 3000K	LED 3000K	LED 3000K
Light Wattage	10W	10W	4.5W	4.5W	8W	8W
Switch Plate	4-Way (supplied)	3-Way (supplied)	4-Way (supplied)	3-Way (supplied)	3-Way (supplied)	2-Way (supplied)
Max. Operating Temp	40°C	40°C	40°C	40°C	40°C	40°C
IP Rating	IPX4	IPX4	IPX4	IPX4	IPX4	IPX4
Exterior Grille	125mm Fixed Louvre	125mm Fixed Louvre	125mm Eggcrate	125mm Eggcrate	100mm Eggcrate	-
Duct	3m x 125mm	3m x 125mm	3m x 125mm	3m x 125mm	3m x 100mm	-

Manrose Heat-Fan-Light systems have been tested to the downlight standard AS/NZS60598.2.2 Amendment A and are all classified as CA135.

