



Window Fans - Standard

These fans are designed for installation situations where an existing window fan is being replaced or where there is no available external wall, or ceiling, space access. 5 year warranty.

Classic Standard Profile	Duct (mm)	Fan Type	Max. Fan Watts (W)	Max. Fan Pressure (Pa)	Free Air Fan Performance		Specific Fan Power (W/l/s)	Sound dB(A)	Fascia	Switching	Model	Order Code
					(l/s)	(m ³ /hr)						
	300	Axial	82	60	306	1100	0.27	60	Square	Pull Cord	WF300P	FAN0481
	230	Axial	45	50	152	550	0.30	50	Square	Pull Cord	WF230P	FAN0148
	100	Axial	20	20	23	85	0.87	41	Square	Pull Cord	WF100P	FAN0021

Note: Installed system performance is always influenced by duct length and layout
Electrically operated louvre shutters open automatically when fan is running - prevents backdraughts.

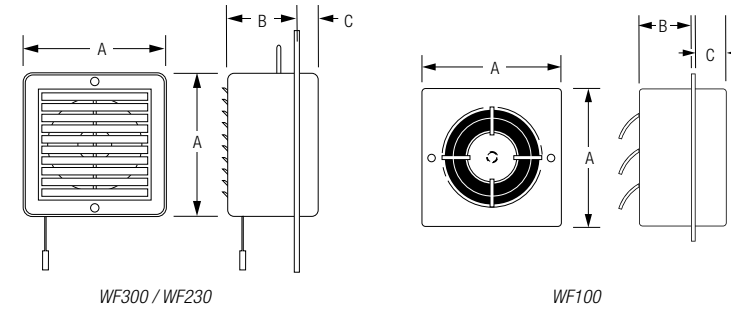
Switching Options

Standard Remote switch (not supplied).
Pull Cord Integral part of fan.

Window Fans - Standard

Dimensions (mm)

Model	Cut-Out Size	A	B	C	D
WF300	310-345	362	4-32	112	29
WF230	255-270	286	4-32	112	25
WF100	115-155mm	163	120	30	-



Technical

Max. Operating Temp	50°C
IP Rating	IPX4