

Overview

SmartVent Lite2 is an economical home ventilation system that monitors temperature conditions to ensure that you are protecting your home or rental property with quality air always circulating. As a standard temperature-based solution, bringing air in faster when warmer and slower when cooler, SmartVent Lite2 is commonly referred to as a "Landlord Solution" or a cost-effective solution to protecting their property investment. The rental lock feature enables a property owner to lock the controller to prevent tenants from switching the system OFF while still allowing system temperatures, fan speeds and ventilation scheduler adjustments to suit the lifestyles/needs of the occupants. Low temperature protection, set at a user adjustable default setting of 5°C, ensures that continuous cold air is not introduced when the incoming air conditions are too cold.

SmartVent Lite2 Range

Home ventilation system suitable for most types of homes.

Model	Description	Order Code
SV01L2	1 room system (expandable to 3 max.) for homes up to 100m ²	FAN6803
SV02L2	2 room system (expandable to 3 max.) for homes up to 100m ²	FAN6804
SV04L2	4 room system (expandable to 6 max.) for homes up to 280m ²	FAN6805
SV06L2	6 room system (expandable to 12 max.) for homes up to 560m ²	FAN6806

System Extensions

3m Duct
DCT4276

Extension kits can be used to add more outlets to your SmartVent home ventilation system.

Features

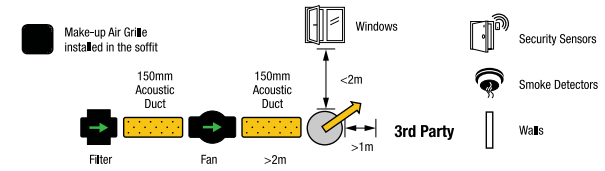
Features	
Temperature Sensing	
Low Temperature Protection	
Auto or Manual Operation	
Rental Property Lock	
Boost Control	
Filter Change Alert	
Screen Brightness Control	
Scheduler	



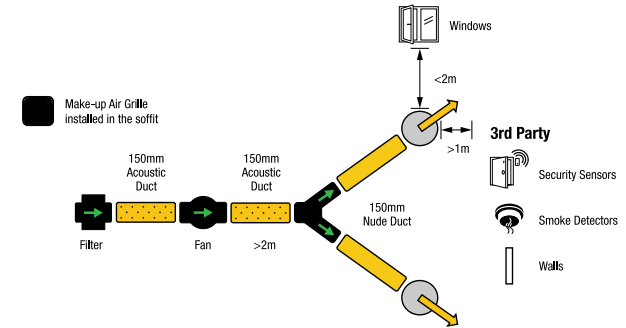
Protect Your Investment
Cost effective solution to
reduce moisture, mould and mildew



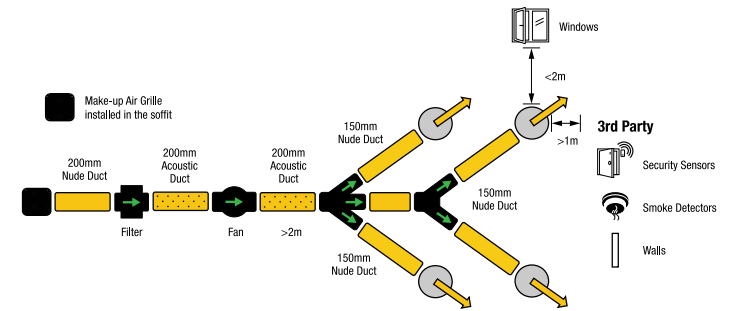
SV01L2



SV02L2



SV04L2



SV06L2

