

ventlair™

THE AIR MOVEMENT SPECIALISTS



HEATFORCE DC HEATFORCE DC BOOST

MODELS: HEA2W and HEA2W-B

Please read all instructions before commencing installation.

IMPORTANT



This integrated bathroom heat-fan-light unit must be installed by a registered electrician and its installation and connection to the power supply must comply with all current Australian and New Zealand electrical and building regulations including AS/NZS3000, or latest edition thereof.

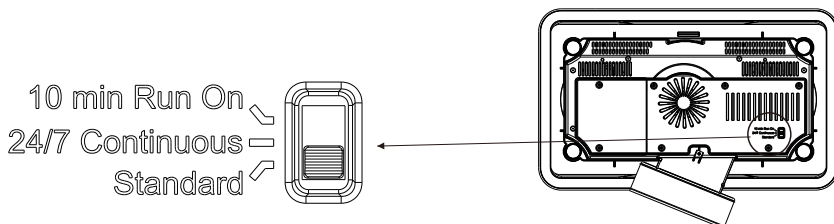


The power supply cable must be suitably rated by a registered electrician to satisfy the total load on that circuit.

READ AND SAVE THESE INSTRUCTIONS

INSTALLATION INSTRUCTIONS

OPTIONAL FUNCTION SETTINGS



- This Ventair Heatforce 3 in 1 includes additional functions that can be engaged by moving the toggle switch located on the back of the unit.
- **PLEASE NOTE: For activation of '24/7 Continuous' or '10min Run On' functions, the toggle switch should be set prior to connecting the power supply.**
- **STANDARD:** The default position. The exhaust can simply be turned on and off at the wall switch (included), just like a standard Bathroom heater.
- **10min Run On:** The fan will continue to operate on MAX for 10 minutes after the wall switch is turned to 'OFF'.
- **24/7 Continuous:** The fan will revert to a very Low speed (trickle) whenever the wall switch is turned 'OFF'. This creates a subtle airflow that helps to prevent mould and condensation in the bathroom, and also promotes a healthier living environment by encouraging air changeover within the home. i.e. stale air will slowly be replaced with fresh air.

INSTALLATION INSTRUCTIONS

FOR YOUR SAFETY

- Use this heat-fan-light unit only as described in this manual. Any other use not recommended by the manufacturer may cause fire, electric shock, or injury to persons. If you have questions, contact the manufacturer or local agent.
- To prevent electrical shock, please ensure that power is DISCONNECTED before installing.
- All wiring must be carried out by a licensed electrician in accordance with all national wiring codes.
- When cutting into the ceiling, do not damage electrical wiring and other hidden utilities.
- The heat-fan-light unit must be properly earthed.
- This appliance is not intended for use by persons (including children) with reduced physical, sensory or mental capabilities, or lack of experience and knowledge, unless they have been given supervision or instruction concerning use of the appliance by a person responsible for their safety.
- Children should be supervised to ensure that they do not play with the unit.
- The surface is extremely hot when in use. Allow surface to cool sufficiently before touching or replacement.
- Exhaust fans may adversely affect the safe operation of burning gas or other fuels (including those in other rooms) due to back flow of combustion gases. These gases can potentially result in carbon monoxide poisoning. After installation of an exhaust fan such as a partition fan or a duct fan the operation of flued gas appliances should be tested by a competent person to ensure that back flow of combustion gases does not occur.
- Any alterations or additions to building wiring must be completed by a licensed electrician or person authorised by legislation to work on the fixed wiring of any electrical installation.

INTRODUCTION AND CONSIDERATIONS

- Read these instructions carefully before installing & using the product.
- Always operate this product from a power source of the same voltage, frequency and rating as indicated on rating label.
- This product is designed for installation in flat ceilings only. Do not mount on a sloping ceiling or a vertical wall.
- Locate and install the product in accordance with the requirements of AS/NZS 3000 or the latest edition thereof and local building codes and regulations. Do not install in a location where there is a possibility of water splashing into the heater. Do not install above a shower or bathtub.

INSTALLATION INSTRUCTIONS

VENTILATION REQUIREMENTS

For the exhaust fan to work efficiently, replacement air of a volume equivalent to what is being extracted must be able to enter the room.

For best results, air should be drawn under a door (20mm undercut) or through a door grille or vent. Using a window is not advised as cold outside air can reduce bathroom temperatures potentially causing more steam and condensation.

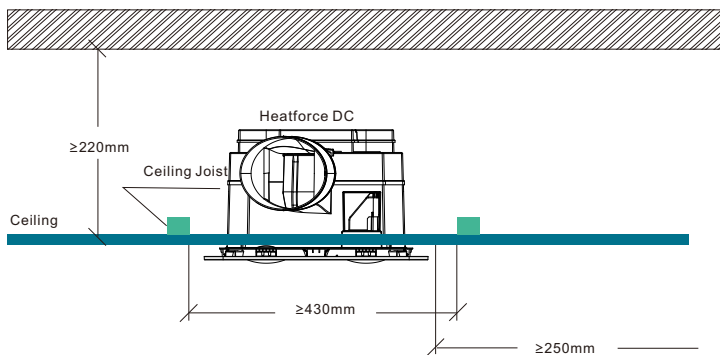
If the room is airtight, the fan will operate poorly. Air flow path should ideally pass over the steam source.

CLEARANCE REQUIREMENTS

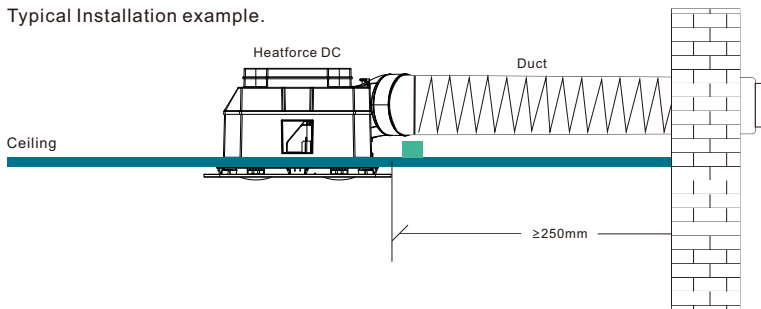
- This unit must be mounted at least 250mm away from vertical walls.
- Additionally a minimum of 50mm clearance is required between any part of the Heatforce DC and Joists, walls insulation and/or overhead building material.
- Do Not Cover: The Unit must not be covered with building insulation or similar.



Front View



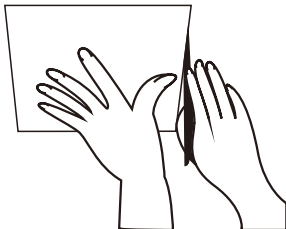
Typical Installation example.



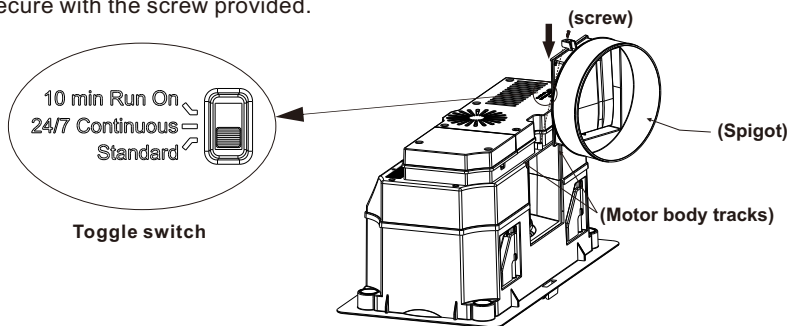
INSTALLATION INSTRUCTIONS

INSTALLATION/MOUNTING:

1. This unit must be mounted at least 2.3 meters above the floor and at least 250mm away from vertical walls.
2. Ensure the area behind the installation location is clear of all cables, pipes, joists or hidden utilities.
3. Use the template provided to mark and cut a hole in the ceiling (refer to specifications table on page 12 for hole size) and ensure there is sufficient space for the clamping arms to operate.



4. Gently slide the spigot (outlet duct) downwards into the tracks on the motor body and secure with the screw provided.

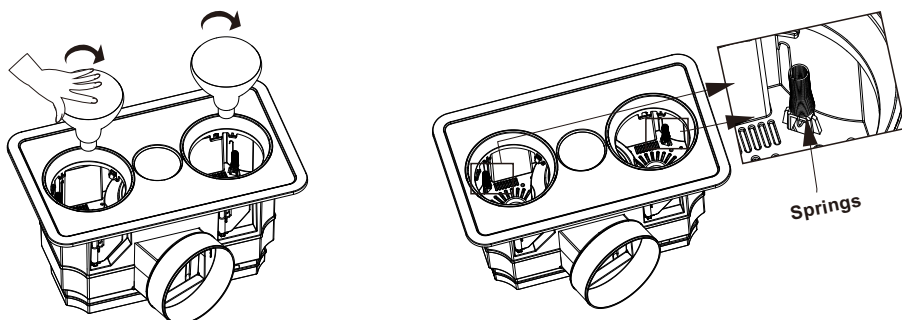


5. Set toggle switch (optional)

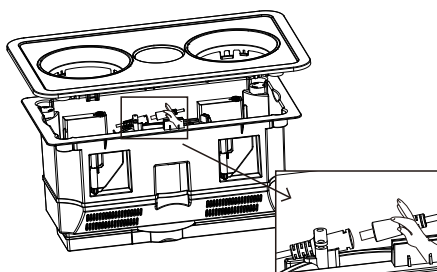
- **IMPORTANT:** Resetting Toggle switch **MUST** be done prior to connecting the power supply.
- If the functions need to be adjusted after installation of the Unit, **ALL** power must be turned 'OFF' prior to adjusting the toggle switch.
EG: Turn Units Power supply to 'off' at mains switchboard (to ensure 'ALL' power is cut)
Adjust Toggle switch Reinststate power
- **Standard:** Fan is controlled by the wall switch and operates at Maximum Speed only. Mould reduction features (24/7 continuous run and run-on timer) are disabled in this setting.
- **24/7 Continuous:** Fan will continue to operate at low speed (trickle) when the wall switch is turned 'OFF'.
- **10 min Run On:** Fan will continue to run for approximately 10 minutes after the wall switch is turned 'OFF'. Once timer has elapsed fan will automatically turn off.

INSTALLATION INSTRUCTIONS

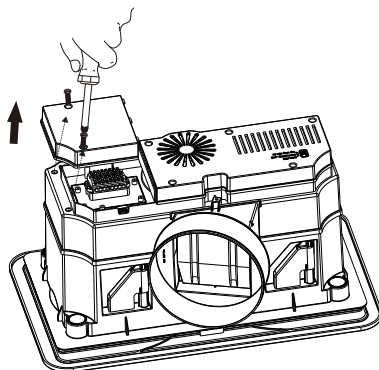
6. Remove all heat lamps and unclip springs to release fascia.



7. Carefully disconnect the LED connector from the heater.

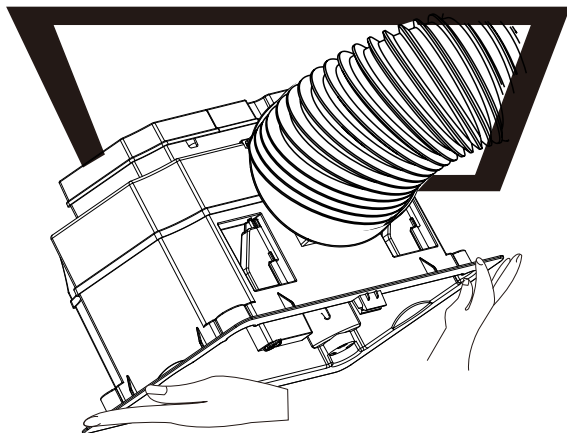


8. Remove the terminal cover and connect all wires as per the 'CONNECTION TO ELECTRIC MAINS' section on page 8.



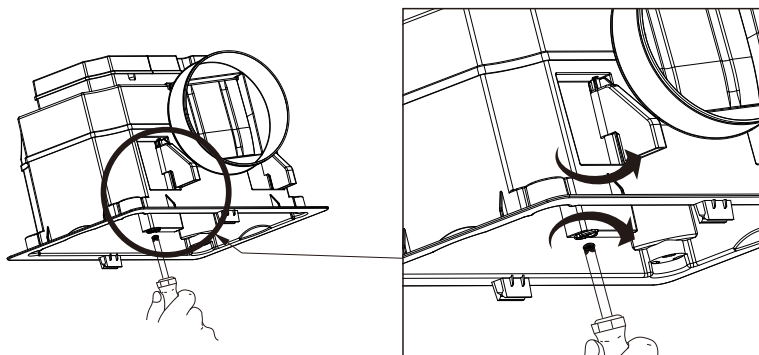
INSTALLATION INSTRUCTIONS

9. Connect ducting (if required) and gently insert the unit into the pre-cut hole ensuring to move the side clamping arms inwards so that the body can pass through the hole without damaging the plasterboard.



To maximize airflow, cut the duct to size ensuring it is in a fully expanded state with minimal bends or corners.

10. Gently adjust fixing screws until firm. Note, ensure the fixing arms swing outwards until 90 degrees separation from the motor body.



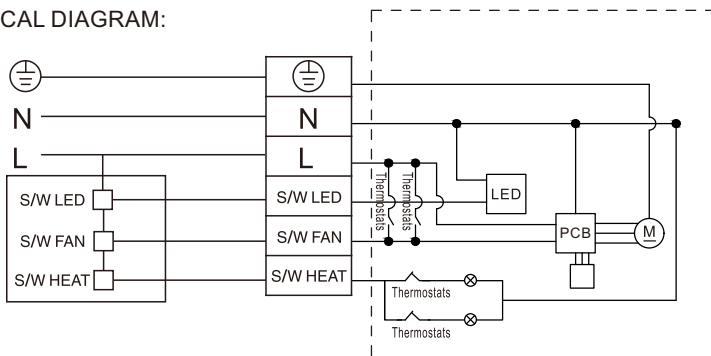
11. Reconnect LED cable, Fascia and screw in the heat globes.

INSTALLATION INSTRUCTIONS

CONNECTION TO ELECTRIC MAINS

1. Ensure the power is switched "OFF" at the mains before commencing installation.
2. Remove the terminal cover and make all connections as per the "Electrical Diagram" and markings adjacent to terminal block.
3. Refit cover removed earlier.

ELECTRICAL DIAGRAM:



NOTE: A hard, unswitched active to the L terminal of the unit is required.

- **POWER:** This bathroom heater requires AC220-240V ~50Hz electrical supply and must be wired through either a plug and socket or an all-pole disconnection switch in accordance with Australian Wiring Rules AS/NZS 3000 or the latest edition thereof and local building codes and regulations.
- This unit is fitted with thermal safety switches that will automatically turn the Fan 'ON' to help protect, and increase longevity of internal components. This can typically happen if heat globes are left 'ON' for extended periods of time without the fan operating in tandem.

INSTALLATION INSTRUCTIONS

HOW TO CHANGE LED LIGHT COLOUR:

Using a Standard 3 Gang Wall Control

1. Flick light switch to 'ON' - LED light will be at Natural 4000K white (Factory Default setting).
2. While 'ON', flick light switch to 'OFF' then 'ON' again within 8 seconds - LED light will change to Warm 3000K white.
3. Continue same process to reach Cool 5000K white then back to Natural 4000K white.



During normal use, the Light will operate at whatever the last Colour setting was.

CARE AND MAINTENANCE:

- Switch off the power before commencing cleaning and wait until the heat globes have cooled completely.
- Regularly wipe front fascia with soft cloth soaked with water or neutral detergent if required.
- Remove fascia as required and clear excess build up of dust and lint using damp cloth or vacuum cleaner brush.
- Clean the exhaust ducting and ensure airways are clean and that there are no obstructions at the exit from the wall.

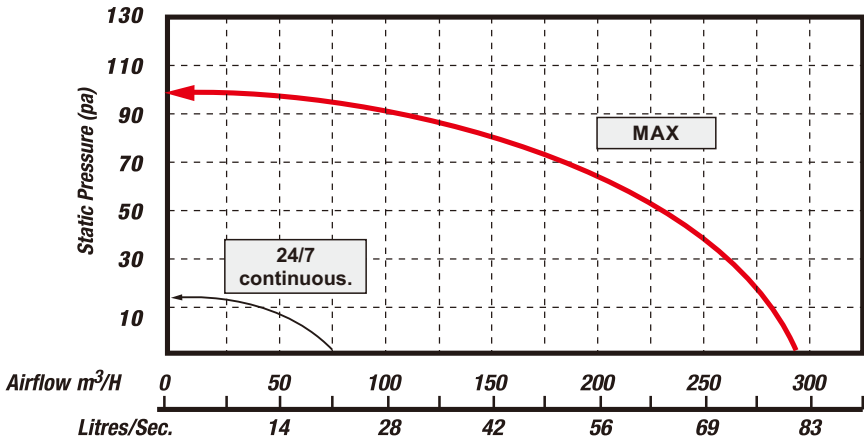
LIST OF COMPONENTS SUPPLIED:

ITEM	QTY
Heatforce 3 IN 1 - Heat, Light and Exhaust	1
275 watt heat Lamps	2
3 Gang Wall Switch	1
Instruction Manual	1
Cutting template	1
Warranty Card	1
2m Flexible duct (150mm)	1
External outlet grille	1

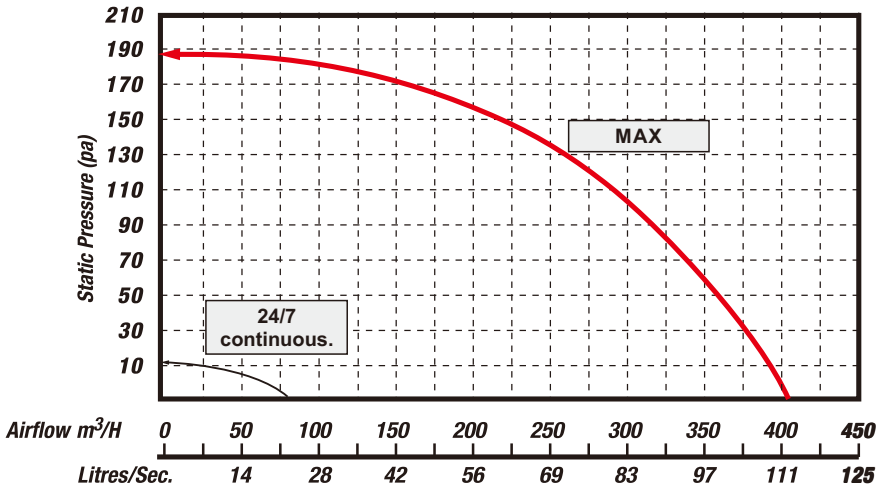
INSTALLATION INSTRUCTIONS

AIRFLOW AND PRESSURE PERFORMANCE DATA

HEA2W

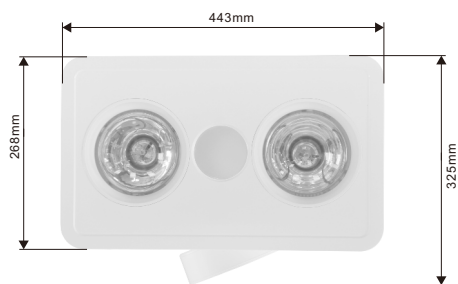
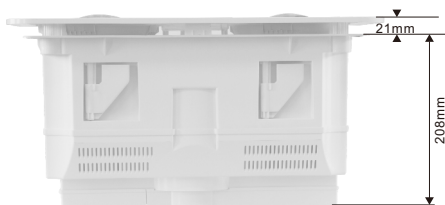
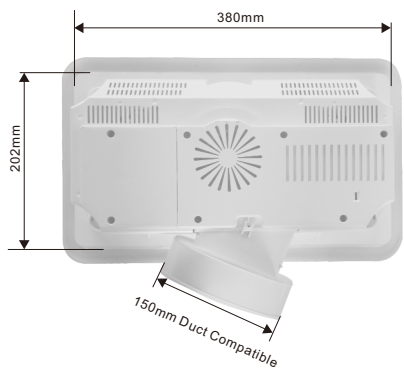


HEA2W-B



INSTALLATION INSTRUCTIONS

DIMENSIONS



INSTALLATION INSTRUCTIONS

MAIN TECHNICAL PARAMETERS

Model	HEA2W	HEA2W-B
Input	2.5 / 25W	2.5 / 50W
Power Static Pressure	96	186
Free Air Fan Performance	75 / 285m ³ /h	80 / 403m ³ /h
Sound Level @ 3m	28 / 42dB(A)	28 / 47dB(A)
Cut Out	380X202MM	380X202MM
IP Rating	IPX4	IPX4
Dimensions (W x H x D)	443X268X230MM	443X268X230MM
Weight	3.62KG	3.66KG
LED Light Specifications	10W Tri colour 853 lumens (Avg)	10W Tri colour 853 lumens (Avg)
Heat Lamps	275 Watt	275 Watt

Instructions are subject to change without notice.

Ventair Pty Ltd
4 Capital Place, Carrum Downs, VIC, 3201, Australia
e: info@ventair.com.au | w: www.ventair.com.au