

Heatforce DC Boost

ventairtm
THE AIR MOVEMENT SPECIALISTS



HEA4W-B 4 Lamp



HEA2W-B 2 Lamps



“24/7” Continuous trickle extract ventilation has become the new standard for addressing poor air quality in new well-sealed homes.



Air is extracted efficiently from wet areas, to be replaced by fresh air drawn in passively from other areas in the home.



Powerful centrifugal fan with energy efficient DC motor ensures very low operating costs.

PREMIUM 3 IN 1 BATHROOM HEATER

- DC energy efficient motor
- Mould reduction technology: Switch selectable during installation to 1 of 3 modes:
 1. 24/7 continuous with manual wall switch to boost extraction
 2. Boost extraction with 10 minutes run-on timer
 3. Standard boost extraction from wall switch
- Thermal safety switch
- Modern low-profile fascia with Tri-colour LED
- Instant radiant heat from 2 or 4 heat lamps
- 150mm side ducted exhaust fan
- Minimum install depth: 220mm
- Energy saving back draft stopper
- Designed for G4 building code and Healthy Homes Bathroom



Ultra efficient 3 in 1 featuring **24/7 continuous and timed mould reduction technology** for a drier bathroom and a healthier home

Heatforce DC Boost

PREMIUM 3 IN 1 BATHROOM HEATER

Energy efficient bathroom unit with heater, light and exhaust fan.
Featuring 24/7 continuous and timed Mould Reduction Technology.



Model	Colour
HEA2W-B	White

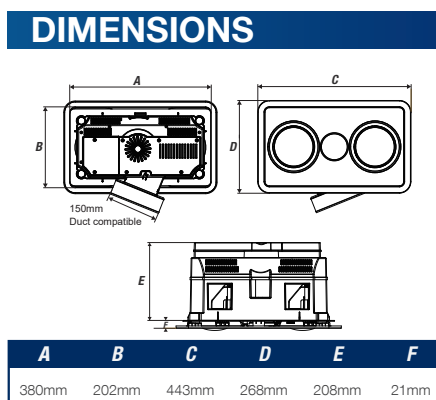


EXHAUST	24/7	Standard
Motor Type:	DC	DC
Rated Voltage:	220-240V~50Hz	220-240V~50Hz
Air Delivery:	80 m³H	403 m³H
Motor Power:	2.5 Watts	50 Watts
Speed:	500 rpm	2000 rpm
Noise Level:	28 dB(A)	47 dB(A)
LIGHT		
Light Type:	10 Watt, Tri-Colour LED, 853 lumens (AVG)	
Light Colour:	3000K (WW), 4000K (NW), 5000K (CW)	
HEAT		
Heat Type:	2 x 275 Watt Heat Globes	
Safety Switch:	Yes	

INSTALLATION	
Cut Out Size:	380 x 202mm
Fascia Size:	443 x 268mm
Min Install Depth:	220mm
IP Rating:	IPX4
Installation:	Qualified Electrician Needed
Total Rated Power:	610 Watts

INCLUDES
1 x Bathroom Unit
2 x 275 Watt Heat Globes
1 x 10 Watt Tri-colour LED downlight
1 x Three Switch Wall Plate
1 x Flexible Duct (150mm x 2m)
1 x Duct Spigot
1 x External Grille
1 x Cutout Template
1 x Instruction Manual
1 x Warranty Card

AVAILABLE EXTRAS
HEA275 275 Watt Heat Globe
V31RFR Bathroom Remote
VUBHR Universal Bathroom Remote



Model	Colour
HEA4W-B	White

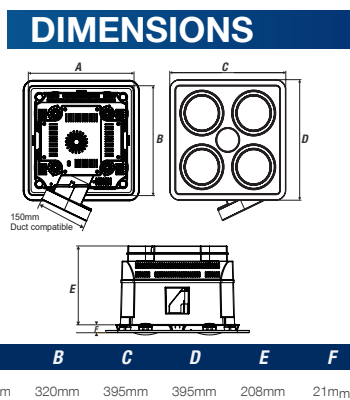


EXHAUST	24/7	Standard
Motor Type:	DC	DC
Rated Voltage:	220-240V~50Hz	220-240V~50Hz
Air Delivery:	80 m³H	403 m³H
Motor Power:	2.5 Watts	50 Watts
Speed:	500 rpm	2000 rpm
Noise Level:	28 dB(A)	47 dB(A)
LIGHT		
Light Type:	10 Watt, Tri-Colour LED, 853 lumens (AVG)	
Light Colour:	3000K (WW), 4000K (NW), 5000K (CW)	
HEAT		
Heat Type:	4 x 275 Watt Heat Globes	
Safety Switch:	Yes	

INSTALLATION	
Cut Out Size:	320 x 320mm
Fascia Size:	395 x 395mm
Min Install Depth:	220mm
IP Rating:	IPX4
Installation:	Qualified Electrician Needed
Total Rated Power:	1160 Watts

INCLUDES
1 x Bathroom Unit
4 x 275 Watt Heat Globes
1 x 10 Watt Tri-colour LED downlight
1 x Four Switch Wall Plate
1 x Flexible Duct (150mm x 2m)
1 x Duct Spigot
1 x External Grille
1 x Cutout Template
1 x Instruction Manual
1 x Warranty Card

AVAILABLE EXTRAS
HEA275 275 Watt Heat Globe
V31RFR Bathroom Remote
VUBHR Universal Bathroom Remote



ventair
THE AIR MOVEMENT SPECIALISTS
Distributed by Simx Limited

1 Haliday Place, East Tamaki
Auckland, 2013

T: +64 (9) 259 1660

E: sales@simx.co.nz

www.simx.co.nz | f @ in

PUB1855 2412