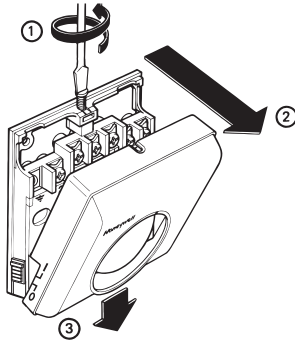


Ultecon Thermostat UT-M1

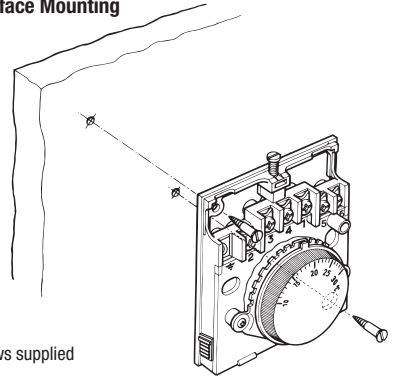
Order Code: FAN5856

1 - Cover Removal

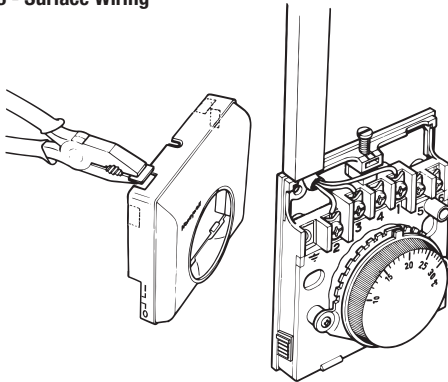


CAUTION: Isolate power supply and make safe before wiring the unit to prevent electric shock and equipment damage. Installation should be carried out by a competent person.

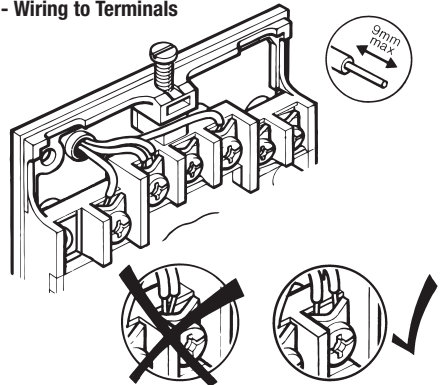
2 - Surface Mounting



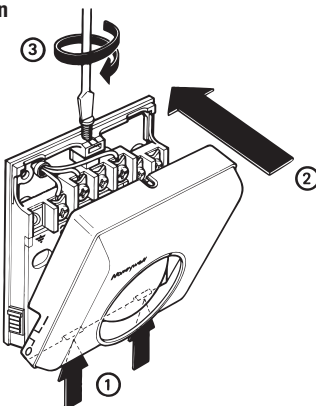
3 - Surface Wiring



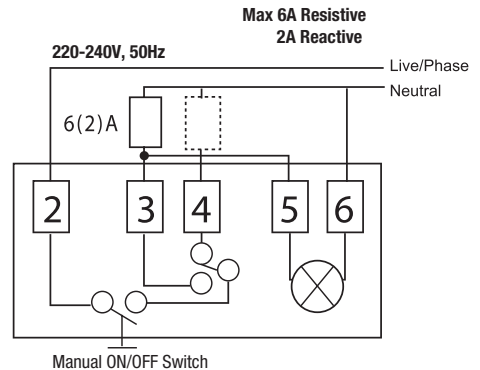
4 - Wiring to Terminals



5 - Completion



WIRING DIAGRAM



NOTE

- The thermostat requires 220-240V AC to operate.
- In order to correctly adjust the system to room temperature, install the thermostat as far from heat sources, draughts or particularly cold walls (thermal bridges) as possible.

CAUTION

- Before wiring the appliance be sure to turn off the mains power.
- The appliance must be wired to the electric mains through a switch capable of disconnecting voltage as per the current New Zealand safety standards.
- Installation and electrical wiring of this appliance must be made by a qualified technician and in compliance with the current standards.

IMPORTANT

- Isolate the mains supply before making any electrical connections.
- This system should be installed by a qualified electrician.
- Thermostat should only be installed by fixed wiring, a flexible cord should not be used.
- The appliance is not intended for use by young children or infirm persons without supervision.
- Young children should be supervised to ensure that they do not play with the appliance.

Distributed by: Simx Limited
Ph: +64 9 259 1660 | Technical Support Ph: +64 9 259 1662
Email: sales@simx.co.nz | www.simx.co.nz