

Please ensure these instructions are read thoroughly before commencing installation and that all documentation is left with the home owner on completion of installation

CAUTION

- Before use, please check that the supply voltage and that of the appliance are the same (see product rating label).
- All wiring and wiring connections must comply with national wiring rules and regulations.
- Any changes or modifications made or attempted to this product, without the prior written approval of the manufacturer, will void any and all stated warranties.
- This appliance is not intended for use by persons (including children) with reduced physical, sensory or mental capabilities, or lack of experience and knowledge, unless they are capable of, and have been given supervision or instruction concerning use of the appliance by a person responsible for their safety.
- Children should be supervised to ensure that they do not play with the appliance.
- In case of damage to the supply cord, switch off the device and do not tamper with it. Damaged supply cords must only be repaired or replaced exclusively by the manufacturer or by an appointed representative. Failure to comply with the above may endanger the safety of people and cause possible damage to the whole system.
- Precautions must be taken to avoid the back-flow of gases into the room from the open flue of gas or other fuel-burning appliances.

TECHNICAL



Description		Duct (mm)	Order Code
Roof Cowl Kit	Angled	125	DCT2205

NOTE

- The flashing supplied in this kit CANNOT be used on metal roofs.
- As part of the E2 Building Code, a roof soaker flasher plate is required for roof penetrations greater than 60mm diameter. Refer to E2 Building Code document for more details
- Angled for roof pitches between 15-45 degrees.
- Can be used for either extract or supply air application.

REGULATIONS AND STANDARDS

New Zealand Building Code and Healthy Homes

The following two category requirements have been established for mandatory extraction ventilation in New Zealand.

The New Zealand Building Code for New Building Consents

The building regulatory system sets out a framework to promote good quality decisions being made during the Building Consent process. The legislation and regulations work together, as the building regulatory system. The functional clauses of the NZ Building Code are grouped and described by a letter and number. Clause G of the NZ Building Code covers services, with G4 setting out the performance requirements for ventilation. The Building Code is enshrined in law. The New Zealand Building Code, G4, has been changed. This is supported by Acceptable Solution G4/AS1 Fourth Edition that specifies mechanical ventilation in accommodation units that contain cooktops, showers and baths.

Residential Tenancy Regulations to the Healthy Homes Standards

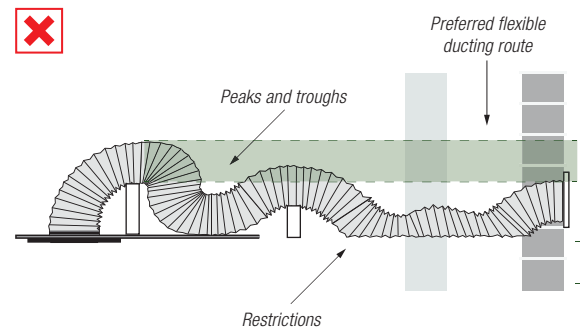
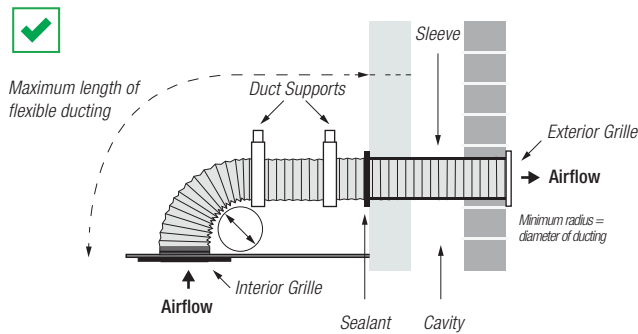
Residential Tenancy Regulations for rental properties only is changing to the Healthy Homes Standards, sub part 4 - Ventilation Standards.

Complying with the Acceptable Solution G4/AS1

To comply, the mandatory mechanical extract system must deliver minimum airflow rates for the complete installed ventilation system. This means that airflow rates must deliver the airflow after resistance of the ducting, internal and external grilles, as well as all other accessories, such as backdraught shutters, are included.

Fan selection is important as some types are far better at overcoming ducting system pressure drops.

Additionally, the quality of the ducting system installation can be all important. Rigid duct systems (see page 102) are best as they are the most efficient. Good installation practice is vital for flexible duct systems.



Choosing the Right Fan to Comply

Fans cannot be selected on the basis of free-air performance only. Fans must now be selected on the basis of the complete installed system performance for a designated room as per the table below.

Room	Airflow Rate (min.)	
	Intermittent	Continuous
Toilet ¹⁾	25 l/s	10 l/s
Bathroom/shower	25 l/s	10 l/s
Laundry ²⁾	40 l/s	-
Kitchen	50 l/s	12 l/s

1) Toilets only require ventilation if they have no openable windows

2) Simx recommends 40 l/s for laundries with unvented non-condensing tumble dryers as covered in AS 1668: Part 2 2012

Recent unregulated extract fan practices in New Zealand has trended to basic, low pressure axial fan products, as installed system performance has not been defined for independent inspection testing and compliance signed off by local authorities.

Bathroom

25 l/s

		Metres of Ducting									
		1	2	3	4	5	6	7	8	9	10
No. of Bends	1	Hyper150 EC	Hyper150 EC	Hyper150 EC	Hyper150 EC	Hyper150 EC	Hyper150 EC	Hyper150 EC	Hyper150 EC	Hyper150 EC	Hyper150 EC
	2	Hyper150 EC	Hyper150 EC	Hyper150 EC	Hyper150 EC	Hyper150 EC	Hyper150 EC	Hyper150 EC	Hyper150 EC	Hyper150 EC	Hyper150 EC
	3	Hyper150 EC	Hyper150 EC	Hyper150 EC	Hyper150 EC	Hyper150 EC	Hyper150 EC	Hyper150 EC	Hyper150 EC	Hyper150 EC	Hyper150 EC
	4	Hyper150 EC	Hyper150 EC	Hyper150 EC	Hyper150 EC	Hyper150 EC	Hyper150 EC	Hyper150 EC	Hyper150 EC	Hyper150 EC	Hyper150 EC
	5	Mixflo 150	Mixflo 150	Mixflo 150	Mixflo 150	Mixflo 150	Mixflo 150	Mixflo 150	Mixflo 150	Mixflo 150	Mixflo 150

Fan Selection

Hyper150 EC

Mixflo 150

Kitchen

50 l/s

		Metres of Ducting									
		1	2	3	4	5	6	7	8	9	10
No. of Bends	1	Mixflo 150	Mixflo 150	Mixflo 150	Mixflo 150	Mixflo 150	Mixflo 150	Mixflo 150	Mixflo 150	Mixflo 150	Mixflo 150
	2	Mixflo 150	Mixflo 150	Mixflo 150	Mixflo 150	Mixflo 150	Mixflo 150	Mixflo 150	Mixflo 150	Mixflo 150	Mixflo 150
	3	Mixflo 150	Mixflo 150	Mixflo 150	Mixflo 150	Mixflo 150	Mixflo 150	Mixflo 150	Mixflo 150	Mixflo 150	Mixflo 150
	4	Mixflo 150	Mixflo 150	Mixflo 150	Mixflo 150	Mixflo 150	Mixflo 150	Mixflo 150	Mixflo 150	Mixflo 150	Mixflo 150
	5	Blue Jet	Blue Jet	Blue Jet	Blue Jet	Blue Jet	Blue Jet	Blue Jet	Blue Jet	Blue Jet	Blue Jet

Blue Jet

INSTALLATION - FLEXIBLE DUCTING

Remove tiles as required from the roof, to accommodate the flashing and soaker flasher plate (if used). Ensure there is no plumbing or electrical wiring under the intended point of installation.

Cut the sleeve on the flashing to allow the 110mm PVC tube to pass through and be held tightly (approx. hole size 80mm diameter).

Slip the flashing over the PVC tube down to tile level. Lubricate with water if required. Fix and waterproof the flashing as required.

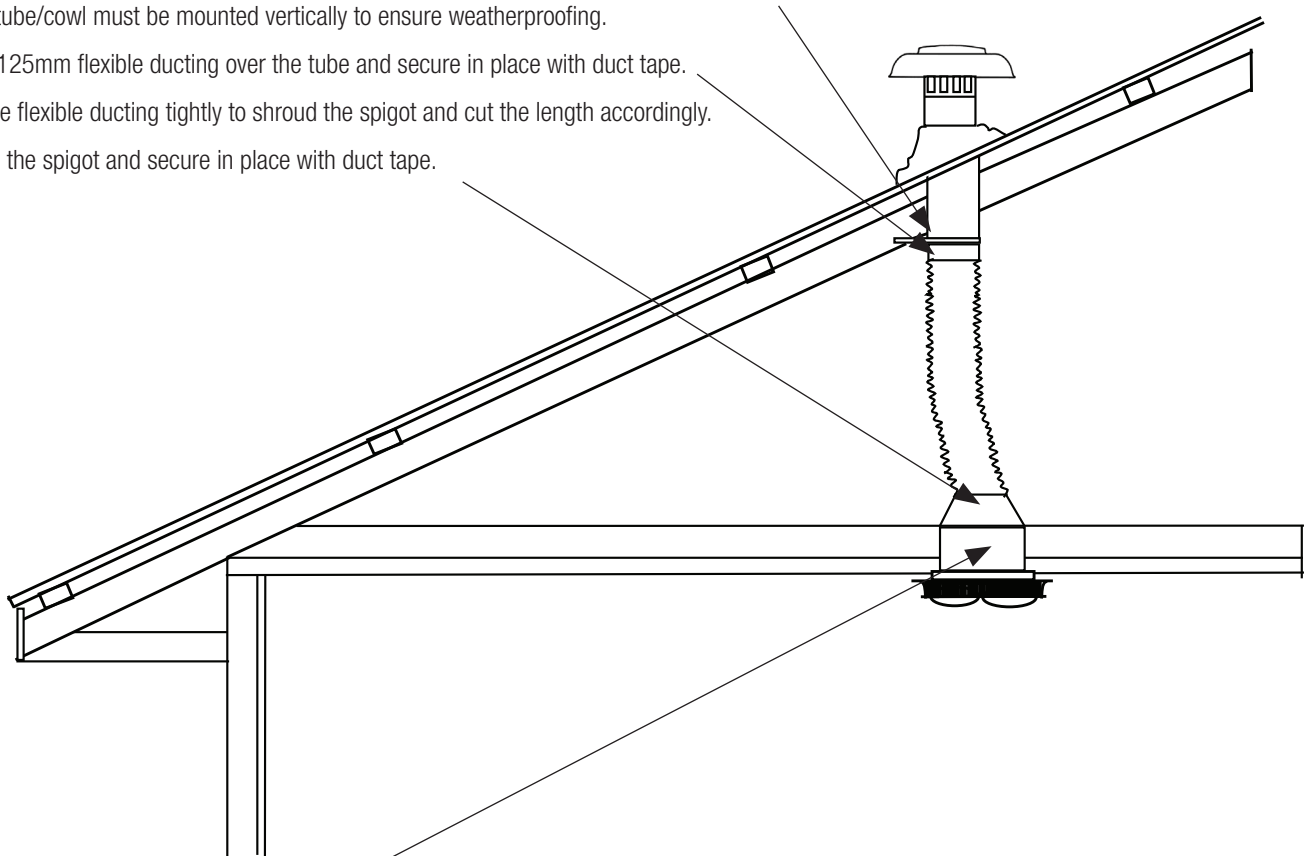
Place the cowl on top of the installed PVC tube, using a suitable PVC Adhesive

Drop the PVC tube through the opening in the roof and fasten the PVC tube to the roof truss or rafter using metals straps (not supplied). The PVC tube/cowl must be mounted vertically to ensure weatherproofing.

Slide the 125mm flexible ducting over the tube and secure in place with duct tape.

Stretch the flexible ducting tightly to shroud the spigot and cut the length accordingly.

Slide over the spigot and secure in place with duct tape.



INSTALLATION - FAN & SHROUD

Cut correct size hole in ceiling per fan supplier's installation instructions.

From above, locate the fan shroud centrally over the fan mounting hole.

It is recommended that the base of the shroud is sealed against the ceiling lining using a suitable proprietary waterproof silicone sealant.

The ceiling lining and raw edge of the hole should also be sealed with a suitable paint sealer or other.

This simple procedure will ensure that any condensation that forms within the shroud will not permeate the ceiling lining over time.

Feed fan electrical cable into fan shroud using the supplied cord-grip grommet.

Install the fan, ensuring that the three fan mounting clamps on the top-side of the ceiling lining clamp down onto the 3 x shroud base web inserts. This ensures that the shroud is firmly held in place.

For applicable outlet fan kits, fit the adapter to the fan exhaust spigot and secure the adapter/fan spigot joint with duct tape.

NOTE

Condensation is a physical phenomenon caused by temperature differentials. In order to minimise the effects of condensation, consideration should be given to the following points:

- Insulation of ducting transitions through cold roof voids.
- Use of 'RUN-ON' timers, to fully evacuate the moist air generated by showers etc. This will subsequently have a drying effect within the duct.
- Use of a condensation trap. This could work out to be an expensive accessory. Contact Simx for further advice.