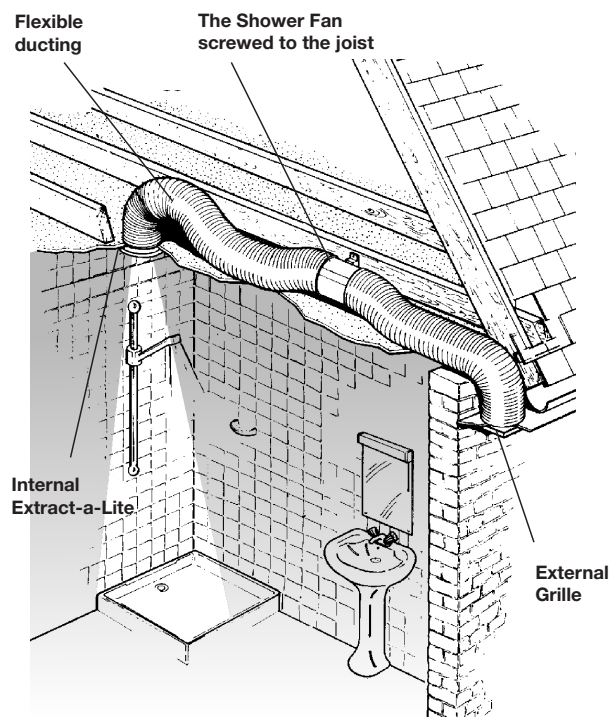




IMPORTANT

- Isolate the mains supply before making any electrical connections. This system should be installed by a qualified electrician.
- When fitting through an external wall, an external grille must be fitted at all times.
- Fan should only be installed by fixed wiring, a flexible cord should not be used.
- The appliance is not intended for use by young children or infirm persons without supervision.
- Young children should be supervised to ensure that they do not play with the appliance.
- Precautions must be taken to avoid the back-flow of gases into the room from the open flue of gas or other open-fire appliances when mounted in outside windows or walls.



Fan Specifications:

Electrical: 220-240V ~50Hz  
Airflow: 39l/s (140m³/hr)
Wattage: 20W
Max Temp: 40°C
IP Rating: IPX4



We reserve the right to change specification without prior warning



Manrose is proudly distributed by Simx Limited
PO Box 14 347, Panmure, Auckland, NZ. Technical Support (09) 259 1662
e: sales@simx.co.nz | www.simx.co.nz | www.manrose.com.au

PUB1099 iss04 11/17

INSTALLATION INSTRUCTIONS

MANROSE
PRO-SERIES

MANROSE PRO SERIES 125mm EXTRACT-A-LITE FAN RANGE

Thank you for selecting our Manrose Pro Series 125mm Extract-a-Lite Fan Kit. Please read all instructions before commencing installation.

Please ensure the correct LED lamp and driver OR Halogen lamp and transformer are used for replacements. The LED model MUST be replaced with an LED lamp and the Halogen model MUST be replaced with a Halogen lamp. They are not interchangeable.

Light Specifications:

LED models: FAN5379- FAN5382

Driver Input: 220-240 VAC

Driver Output: 12VDC

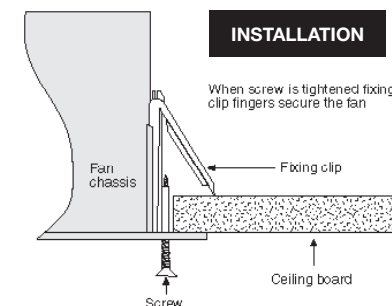
Lamp MR16: 12V / 3W high power LED, 25° beam angle

Halogen models: FAN2029-FAN2032

Transformer Input: 220-240 VAC

Transformer Output: 12VAC

Lamp MR16: 12V / 50W Halogen, 60° beam angle



Installation Instructions

Important: The Halogen Extract-a-lite must not work independently of the fan.

1. Cut a 140mm diameter hole in ceiling, (always ensure the hole is cut between ceiling rafters and away from any wiring or plumbing). Fix the Extract-a-lite chassis using the 4 screws provided. Use the fixing clips to secure the fan in panel walls & ceilings.
2. For the LED models: Connect a suitable driver to the Extract-a-Lite and to a suitable power supply, ideally to the switched live of the extractor fan installed. Recommended driver: FAN5342. Replacement lamp: LHT0221.
For the Halogen models: Connect a suitable transformer to the Extract-a-Lite and to a suitable power supply, ideally to the switched live of the extractor fan installed. Recommended transformer: FAN2101. Recommended lamp: FAN0431.
3. Place the white ceiling cover onto the Extract-a-lite chassis by positioning over the 3 lugs, and twisting clockwise.
4. Never connect mains direct to the lamp.
5. The transformer/driver must be suitable for 230V AC input. .

CAUTION: Disconnect the power supply, and be sure that the lamp has fully cooled before removing or replacing.

DIMENSIONS

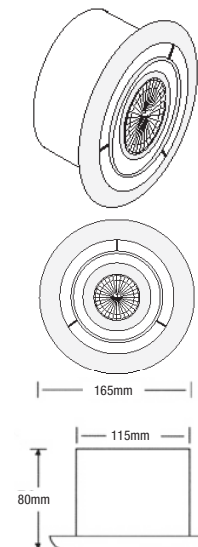


Diagram 1 (ELLP125S) Standard Model This diagram is for a lighting circuit only

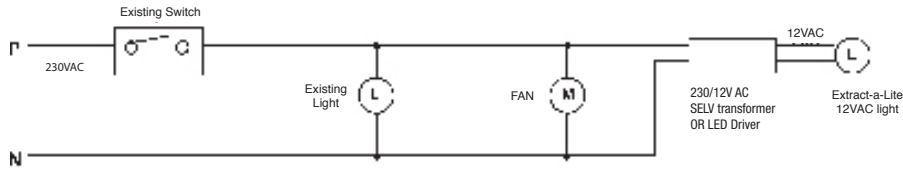


Diagram 2 (ELLP125T) Timer Model. This diagram is for a lighting circuit only

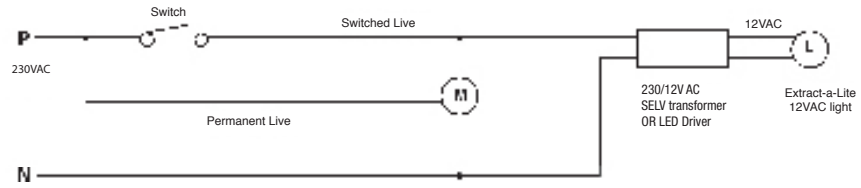


Diagram 3

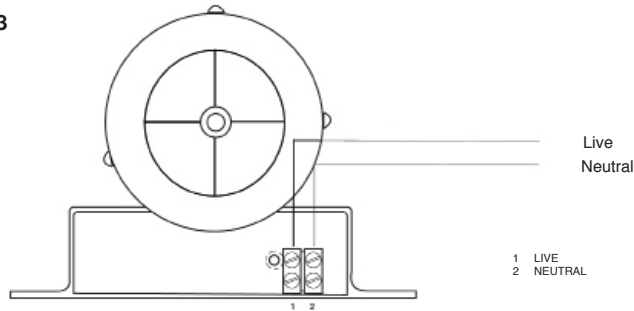
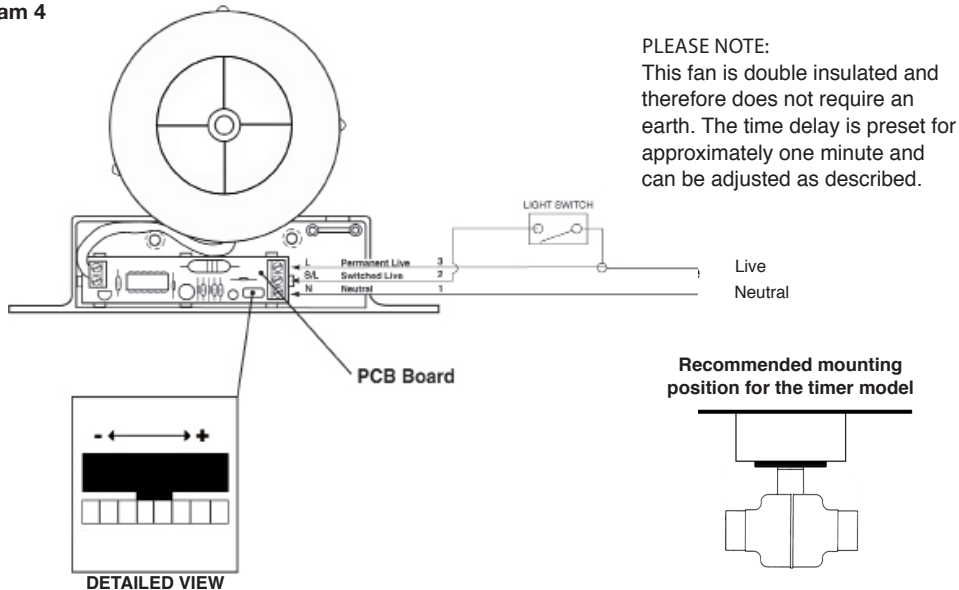


Diagram 4



FITTING THE INDUCT FAN

1. Select a suitable place for the centrifugal fan to be screwed to a joist and secure using two screws through the fixing bracket. **NB: The discharge end of the Fan unit is the end where you can see the back draught shutter. There is also an arrow on the unit showing airflow direction.**
2. For the exterior grille there is a choice of options, either a weatherproof cowl or a fixed grille. Select a suitable position either in the soffit or on an outside wall for your chosen grille. Carefully remove the grille insert/cowl from its housing by levering gently at the sides with a small screwdriver. Cut a 140mm hole ensuring first that the area above is free from obstruction.
3. Attach one end of the flexible duct to the spigot with the duct tape provided and from the outside feed the duct through the hole until the grille is flush with the soffit/wall. Mark the position of the fixing holes on the soffit/wall. Drill the holes and screw the grille to the soffit/wall then refit the chosen grille to the chassis. **NB: It is best not to cut the flexible ducting until the grille has been screwed to the outside surface to avoid the possibility of cutting the duct too short.**
4. Pull the flexible ducting gently to the discharge spigot of the fan and cut it to length and connect to the fan. **NB: The discharge end of the fan unit is the end where you can see the fan blade clearly.**
5. Connect the other piece of duct to the Extract-a-lite and onto the fan. Cut off and discard any excess ducting. **NB: Make sure wherever possible to keep the ducting running in a straight line as this will improve the performance of the fan.**
6. Remove the cover on the Fan Bracket and make the electrical connection as follows:

7. Wiring of Standard Model ELLP125S. Diagram 1 & 3

The fan can be connected to the light switch so that the fan will start when the light is switched on. The fan should not be accessible to a person using either the shower or the bath.

NB: All wiring must be fixed securely and the cable to the fan should be a minimum of 1mm² in section. All wiring must comply with current Regulations. This system should be installed by a qualified electrician.

8. Wiring of Timer Model ELLP125T Diagram 2 & 4.

The fan can be connected to the light switch so that the fan will start when the light is switched on. When switched off the fan and Extract-a-Lite will continue to run on for between 20 seconds & 20 minutes (pre-set to 1 minute). The fan should not be accessible to a person using either the shower or the bath.

NB: All wiring must be fixed securely and the cable to the fan should be a minimum of 1mm² in section. All wiring must comply with Current Regulations. This system should be installed by a qualified electrician.

Timer Adjustment ELLP125T

This time delay can be adjusted by firstly switching off the power to the fan and removing the fascia. Locate the rotary adjuster as shown in Diagram 4.

The serrated adjuster wheel can be rotated using a thumbnail to adjust the timer setting.

- + = Rotate to the left to increase the time (indicated by + on the diagram)
- = Rotate to the right to decrease the time (indicated by - on the diagram)

Only adjust with power switched off.