

MANROSE®

**BATHROOM HEAT-FAN-LIGHT UNIT
WITH INTEGRATED LED FAN HEATER**
**MODEL: FAN7020 (WHITE)
FAN7021 (BLACK)**

Dear Customer

Please read all instructions before commencing installation.

IMPORTANT

This bathroom heat-fan-light unit must be installed by a registered electrician and its installation and connection to the power supply must comply with all current Australian and New Zealand electrical and building regulations including AS/NZS3000:2000, or latest edition thereof.

The power supply cable must be suitably rated by a registered electrician to satisfy the total load on that circuit.

WARNING

1. This unit may only be used as recommended by the manufacturer in this manual. Any other use not recommended by the manufacturer may cause fire, electric shock, or injury to persons. Contact the manufacturer, or local agent, if required.
2. Ensure the power is off before installation.
3. Ensure the unit is properly earthed.
4. The unit must be able to be isolated from the power by means of a disconnect switch meeting current electrical regulations.

IMPORTANT CONSIDERATIONS BEFORE INSTALLING

Planning can make a big difference to the installation time and your satisfaction with the operation of the unit.

1. The unit must be mounted outside the shower cubicle.
2. For the exhaust fan to work efficiently, replacement air, of a volume equivalent to the air being extracted, must be able to enter the room. This air is usually drawn from under the door, or through a slightly open window. If the room is airtight, however, the fan will function poorly.
3. This unit is designed for installation into a flat ceiling only.
4. Before commencing any cutting, check in the ceiling space that there are no obstructions such as ceiling joists and that there is sufficient height clearance for the housing. Check that the electrical wiring can be routed from the wall switch to the mounting location.

INSTALLATION

1. External Termination

Find a suitable position in the soffit, or wall, to vent out the exhaust fan air/steam (Figure 1). Also consider the duct route and planned location of the unit first (Figure 5). Use the grille supplied to mark out and cut a hole for the 150mm diameter duct to pass through. Be careful to avoid cutting any structural elements.

In exposed sites, an external weatherproof cowl (to be sourced separately) may provide better weather protection.

2. Prepare the Ceiling

Using this instruction card as a template, mark the ceiling with a pencil outline and cut out a hole in the ceiling at the chosen position. Make sure there is a minimum gap of 250mm from the hole exterior to the wall. There should also be a minimum of 250mm from the roof top to the ceiling (Figure 2). Determine a ceiling mounting location that ensures that the hole will leave enough room for the unit and its extended supporting clips (Figure 7) to sit in clear space free of joists or any other structural elements.

3. Remove the Fascia

Apply a little pressure on the fascia, press the fastening springs back, and then remove the fascia.

4. Wiring

Ensure the power is off.

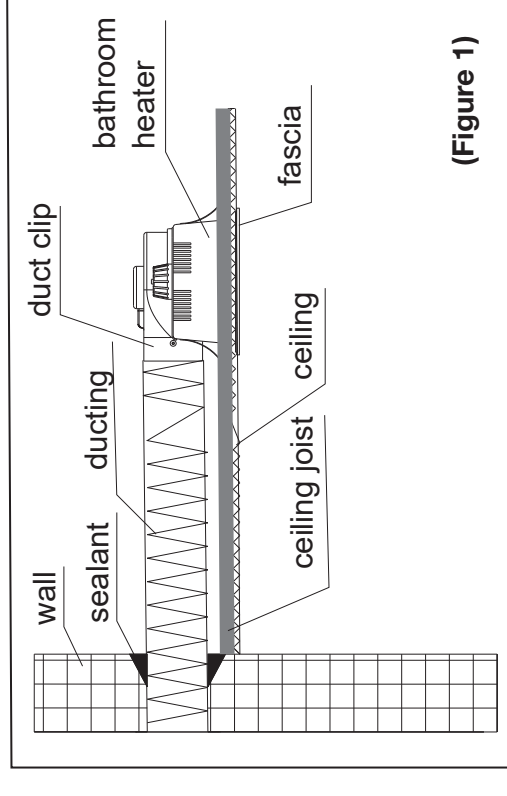
Unplug the LED plug from the heater unit, remove the terminal cover, and wire as shown (Figure 3).

Make sure that all cables are securely connected and refit the terminal cover.

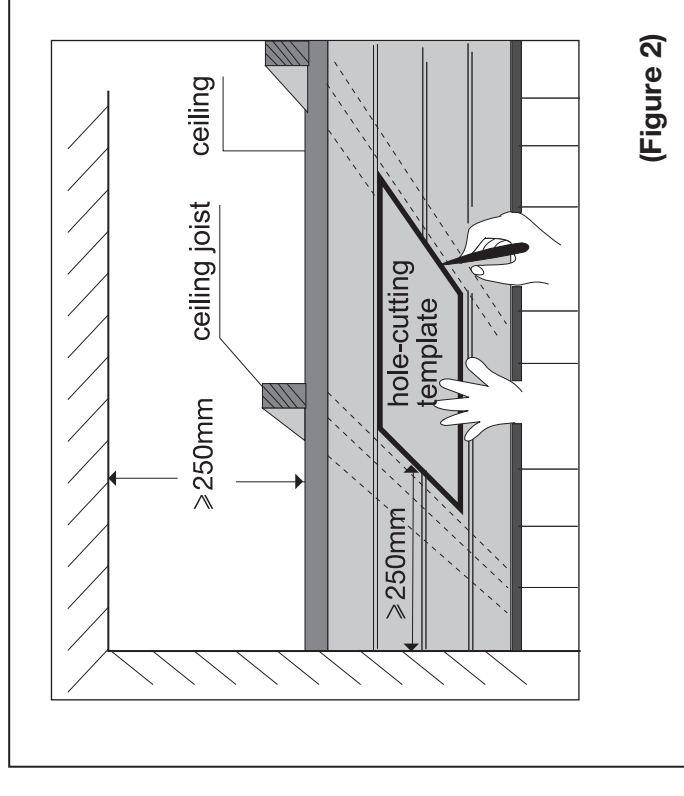
Connect the wiring to the five-gang switch.

Turn the power ON and check the switch operation.

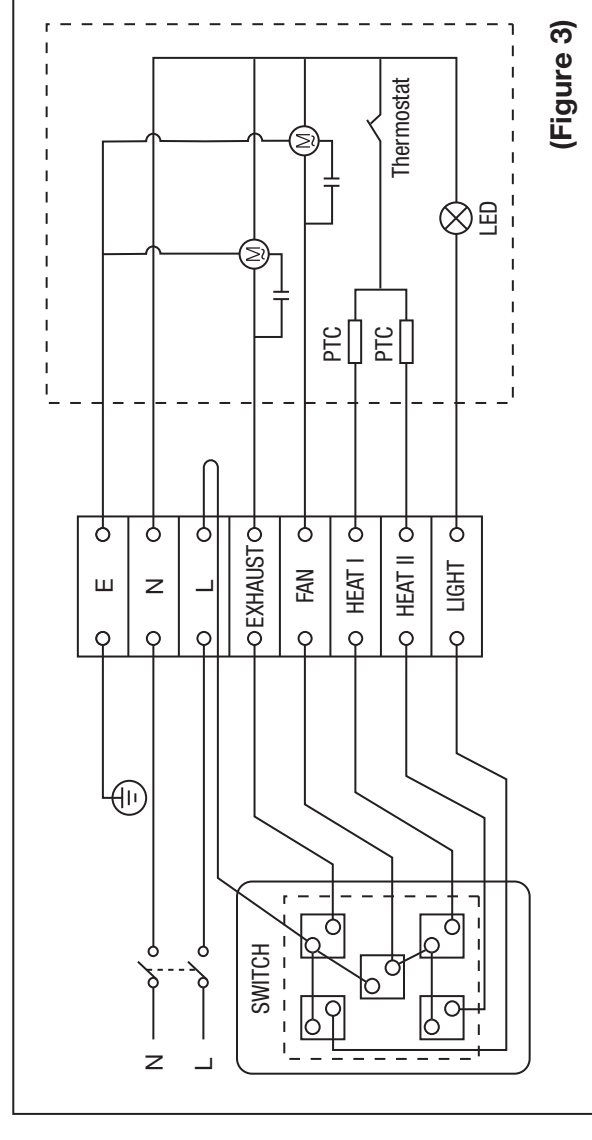
Note: Wiring configuration ensures that 'HEAT' functions will only operate once 'FAN' has been engaged.



(Figure 1)



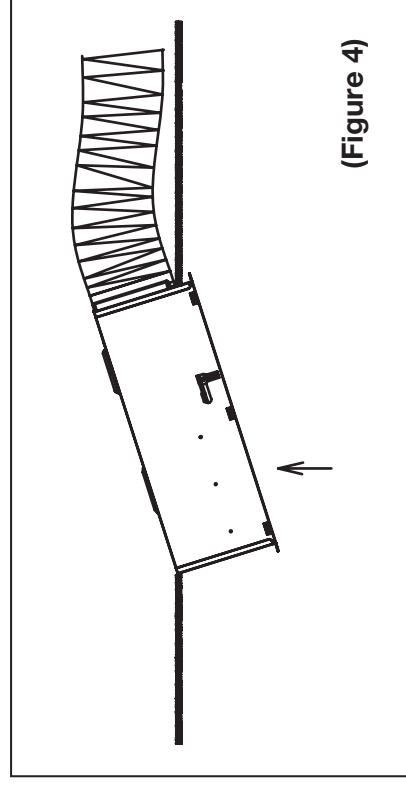
(Figure 2)



(Figure 3)

6. **Position the Unit in the Hole**

The correct positioning of the unit can be determined by the established duct route and the direction that the fan outlet, therefore, needs to face. Connect the ducting to the unit (Figure 4).

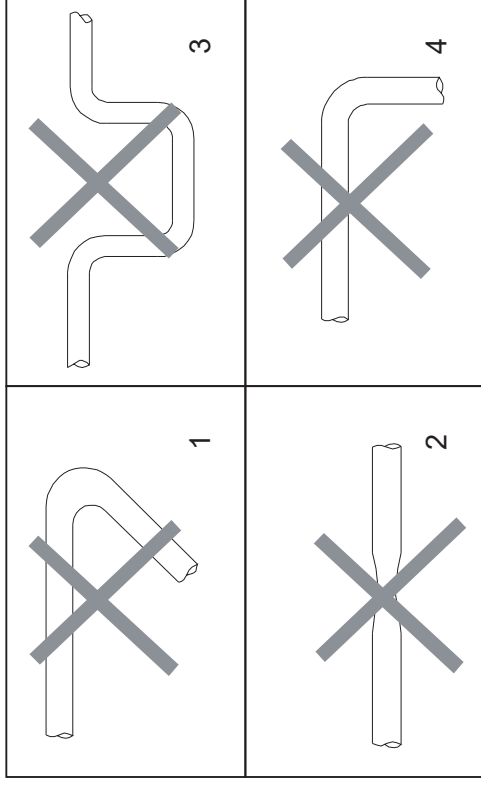


(Figure 4)

Note: Shorter lengths of fully extended duct, with minimum elbows, will provide optimum fan performance. Keep the duct as straight as possible without bends (Figure 5).

7. **Fasten the Unit on the Ceiling**

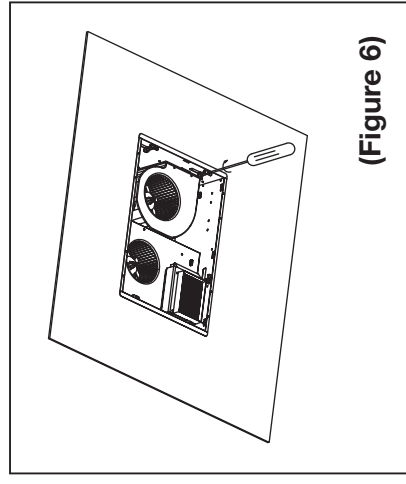
Insert the unit into the ceiling cavity, ensuring the supporting clips are resting against the body of the unit. Tighten the screws (Figure 6) to ensure the supporting clips rotate out fully (Figure 7) and unit is fixed securely.



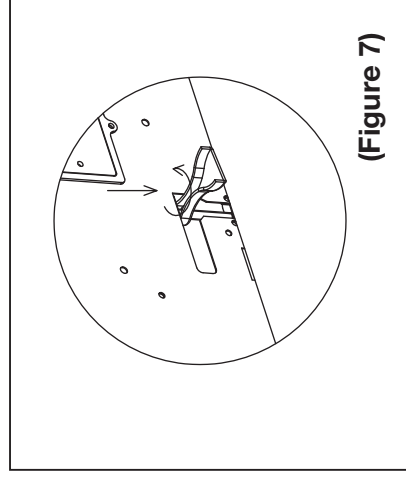
(Figure 5)

8. **Replace the Fascia**

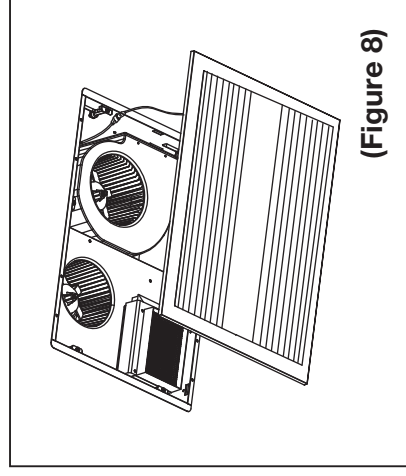
Connect the LED plug to the fascia then attach fascia to motor body making sure all supporting clips have located correctly (Figures 7 & 8).



(Figure 6)



(Figure 7)



(Figure 8)

USE

1. **Fan**
'FAN' switch On/Off
Fan only (without 'HEAT') for cooling effect in warmer weather.
2. **Heat**
'HEAT' switches On/Off
This unit is supplied with two groups of fan driven heaters. You can switch on one or both for an optimal heating effect.
3. **Exhaust**
'EXHAUST' switch On/Off
This unit can exhaust odours and steam in a quick and efficient way by turning on the 'EXHAUST' switch. In high steam conditions, use the exhaust function in tandem with the heat function to maximise steam removal.
4. **Lighting**
'LIGHT' switch On/Off
To turn on the LED light panel

MAINTENANCE

This unit must cool before cleaning. To clean the fascia, wipe with a dampened cloth

WARRANTY

This unit is warranted against defects in manufacturing and workmanship for a period of 5 years. The warranty does not extend to installation of the unit or any associated wiring or any damage caused by installation or wiring.

The installation must be conducted by a registered electrician and a suitable certificate of safety is to be issued by the electrician who installed the unit. Warranty claims will be voided unless a certificate of safety can be produced when required, prior to service or repair.

This warranty does not cover damages or loss caused by:

1. Any consequential losses arising from incorrect installation or operation or maintenance of this product.
2. Any consequential losses arising from incorrect wiring of this product.
3. Any modifications or changes made to the unit, other than those recommended by the manufacturer.

MAIN TECHNICAL PARAMETERS

Model No.	Input	Max. Power	Air Volume	Hole-cutting Size
FAN7020	220-240V AC 50HZ	2115W	380m ³ /hr	523 x 345mm
FAN7021				

LIST OF COMPONENTS SUPPLIED

Bathroom Heat-Fan-Light unit	1 piece
3 metres x 150mm aluminium duct	1 piece
150mm duct retention clips	2 pieces
150mm white exterior grille	1 piece
5-way switch	1 piece
Installation instruction and cutting template	1 piece

Fill out the following details and file along with your purchase receipt and certificate of safety.

Model No.: _____

Purchased from: _____

Purchased date: _____

Instructions are subject to change without notice.