

MANROSE
DESIGNER SERIES

MILAN

BATHROOM HEAT-FAN-LIGHT UNIT



4in1
DESIGN

New **INTEGRATED LED FAN HEATER**

- Energy efficient self-regulating heater
- Two user-selectable levels of heating
- Dedicated high performance extraction fan
- Fan cool function ideal for warmer climates
- High lumen output LED panel
- Stylish ultra slim design

*Innovative self-regulating fan heater
with dedicated high-performance
extraction and high output LED light*

White - FAN7020

Black - FAN7021

4-in-1 Bathroom Unit

- Ultra modern, high performance bathroom unit with integrated fan heat, LED light and exhaust function
- Stylish ultra slim design
- Energy efficient self-regulating heater
- Two user-selectable levels of heating
- Fan forced heat creates a comfortable and warm environment
- Fan air circulating function ideal for summer cooling
- Dedicated high performance air extraction ideal for control of steam and moisture
- Premium LED light panel with high lumen output

Two Fan Unit

Dedicated fans for the specialised functions of extraction (55W fan) and heat/air circulation (40W fan).

Healthy Heat

Having warmth in the bathroom not only feels great, but also helps to minimise damaging steam and moisture build up.

Lighting Up

LED lighting adds to a better environment and lower power bills with 1500 lumens a true light source for your bathroom.

Steam Extraction

A common misconception is that a small bathroom only needs a small exhaust system. During colder months, where steam production is at its highest, a small bathroom can actually fill up with steam much faster than a larger bathroom. Using a combination of heating and a good quality exhaust system is essential in minimising this effect.

Compliance

Simx recommend this product for bathroom use. Following instructions supplied, the installed product will comply with the G4 Building Code for bathrooms. Healthy Homes Standard for bathroom or kitchen installation in a rental property is also met.

Milan Contents

150mm Centrifugal Fan	x1
3m Ducting	x1
Exterior Grille	x1
Wall Switch	x1

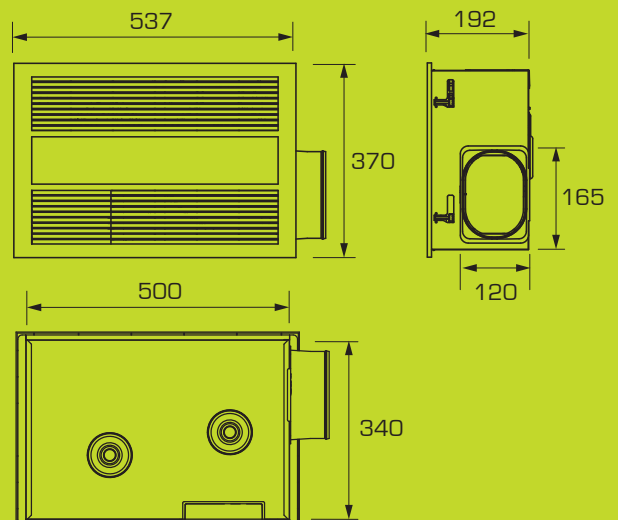
Product Codes

FAN7020	Bathroom LED Fan Heater - White
FAN7021	Bathroom LED Fan Heater - Black

Technical Specifications

Supply	220-240V AC, 2115W
Fan Type	Centrifugal
Exhaust Fan Performance (free-air performance)	106 l/s, 380m ³ /hr
Exhaust Fan Power	55W
LED Light	20W, 1500 lm
LED Colour	4000K
Heater Fan Power	40W
Heater Wattage (L/H)	1100/2000W
Cut Out Size:	523mm x 345mm
Min. Install Depth	250mm
Duct Size	150mm
IP Rating	IPX2

Dimensions (mm)



E6337

Complies with AS/NZS Standards
Specifications are subject to change without notice.