



Description	Order Code
Toilet Fan	FAN7030
Bathroom Fan	FAN7031
Kitchen & Laundry Fan	FAN7032
High Steam Area Fan (with round fascia)	FAN7033
High Steam Area Fan (with square fascia)	FAN7034

Thank you for purchasing this quality exhaust fan.

To ensure correct function and safety, please read all instructions before using the product and keep all instructions for future reference.



When using electrical appliances, basic safety precautions should always be followed to reduce the risk of fire, electrical shock and personal injury.

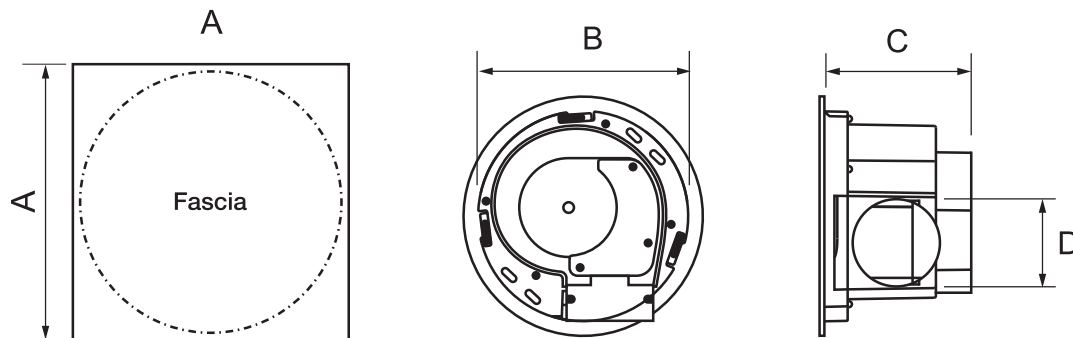


TECHNICAL DATA

Order Code	FAN7030	FAN7031	FAN7032	FAN7033	FAN7034
Supply	220-240V~50Hz	220-240V~50Hz	220-240V~50Hz	220-240V~50Hz	220-240V~50Hz
Duct Size	100mm	150mm	150mm	150mm	150mm
Power	30W	45W	50W	106W	106W
Max. Fan Pressure	93 Pa	147 Pa	210 Pa	220 Pa	220 Pa
Fan Performance	49 l/s, 175m ³ /hr	77 l/s, 276m ³ /hr	105 l/s, 378m ³ /hr	153 l/s, 550m ³ /hr	153 l/s, 550m ³ /hr
Specific Fan Power	0.61 W/l/s	0.58 W/l/s	0.48 W/l/s	0.69 W/l/s	0.69 W/l/s
Sound Level	38 dB(A)	40 dB(A)	42 dB(A)	42 dB(A)	42 dB(A)

Note: Airflow data is in accordance with internationally recognised testing standards. Airflow may vary according to style of fascia used.

DIMENSIONS



Order Code	Description	A	B cut out Ø	C	D
FAN7030	Toilet Fan	272mm	Ø240mm	170mm	Ø100mm
FAN7031	Bathroom Fan	326mm	Ø300mm	197mm	Ø150mm
FAN7032	Kitchen & Laundry Fan	328mm	Ø300mm	197mm	Ø150mm
FAN7033	High Steam Area Fan	328mm	Ø300mm	195mm	Ø150mm
FAN7034					



**FAN INSTALLATION AND ELECTRICAL CONNECTION MUST
BE CARRIED OUT BY A REGISTERED ELECTRICIAN**



IMPORTANT

This fan unit must be installed by a registered electrician and its installation and connection to the power supply must comply with all current Australian and New Zealand electrical and building regulations including AS/NZS3000:2017, or latest edition thereof.

The power supply cable must be suitably rated by a registered electrician to satisfy the total load on that circuit.

WARNING

1. This unit may only be used as recommended by the manufacturer in this manual. Any other use not recommended by the manufacturer may cause fire, electric shock, or injury to persons. Contact the manufacturer, or local agent, if required.
2. Isolate the mains supply before making any electrical connections. This system should be installed by a registered electrician.
3. Ensure the unit is properly earthed.
4. The unit must be able to be isolated from the power by means of a disconnect switch meeting current electrical regulations.
5. The appliance is not intended for use by persons (including children) with reduced physical, sensory or mental capabilities, or lack of experience and knowledge, unless they have been given supervision or instruction concerning use of the appliance by a person responsible for their safety.
6. Children should be supervised to ensure that they do not play with the appliance.

IMPORTANT CONSIDERATIONS BEFORE INSTALLING

Planning can make a big difference to the installation time and your satisfaction with the operation of the unit.

1. This fan is to be installed so that the blades are more than 2.2m above the floor.
2. The unit must be mounted outside the shower cubicle.
3. For the exhaust fan to work efficiently, replacement air, of a volume equivalent to the air being extracted, must be able to enter the room. This air is usually drawn from under the door, or through a slightly open window. If the room is airtight, however, the fan will function poorly.
4. This unit is designed for installation into a flat ceiling only.
5. Before commencing any cutting, check in the ceiling space that there are no obstructions such as ceiling joists and that there is sufficient height clearance for the housing. Check that the electrical wiring can be routed from the wall switch to the mounting location.
6. If any of the fan supply cords are damaged, they must be replaced by the manufacturer, its service agent, or similarly qualified persons, in order to avoid possible damage to the fan motor or controller.
7. Precautions must be taken to avoid the back-flow of gases into the room from the open flue of gas or other open-fire appliances when mounted in outside walls or soffits.
8. Any changes, or modifications, made, or attempted, to this product, without the prior written approval of the manufacturer, will void any, and all, stated warranties.
9. In a kitchen installation, do not install the fan any closer, laterally, than 2m from the cooktop. Visit the Manrose website for fan kit options best suited for lateral kitchen installations within 2m of a cooktop.



**BEFORE INSTALLING THE FAN, MAKE SURE YOU HAVE TURNED OFF THE MAIN ELECTRICITY SUPPLY.
DO NOT TURN IT BACK ON UNTIL THE FAN IS FULLY INSTALLED AND READY TO USE.**

**ALL ELECTRICAL WORK MUST BE CARRIED OUT BY A REGISTERED ELECTRICIAN IN ACCORDANCE
WITH THE LATEST WIRING RULES AS/NZS3000.**



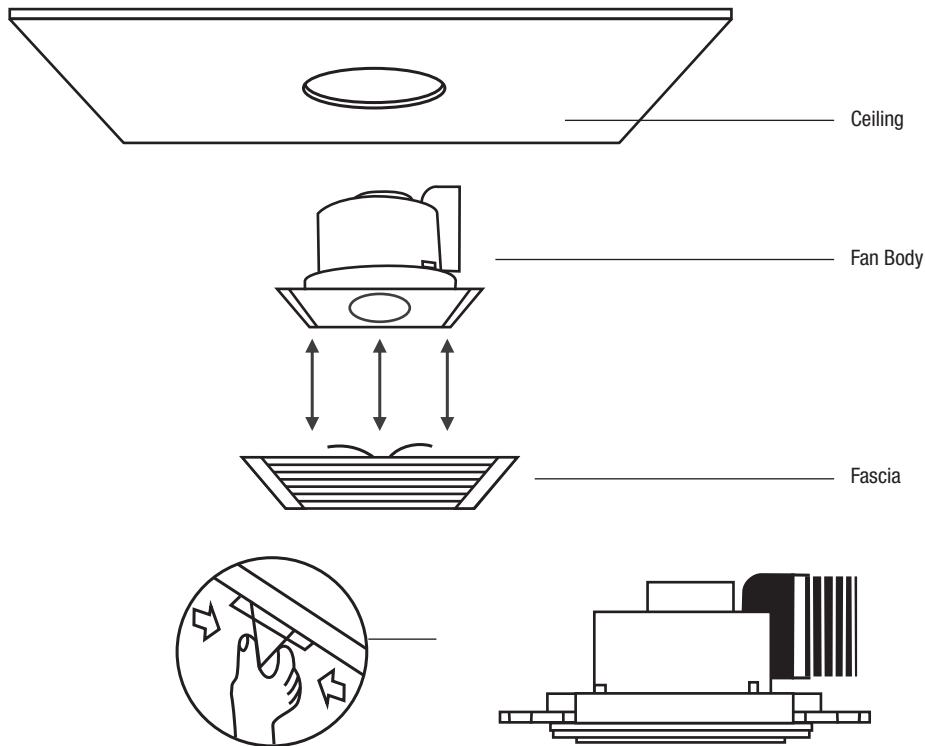
INSTALLATION

Note: A means for disconnection must be incorporated in the fixed wiring in accordance with the wiring rules.

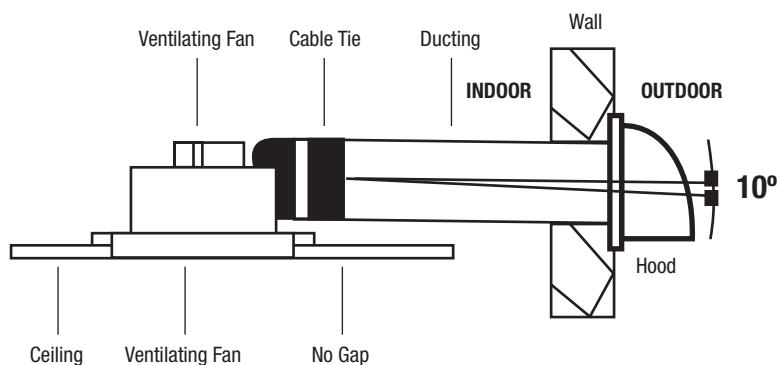
1. Check the fan is free to rotate.
2. Cut the hole for the fan using the template provided, making sure the area behind the intended position is free from impediments.
3. Product is supplied with lead and plug
4. Plug into a socket outlet and secure fan body using the three (or four) swing fixing arms. Use philips head screw driving to firmly secure but do not over tighten.
5. Ducting can be attached to the air outlet prior to installing into position.

Note: A standard socket and electrical wiring to an ON/OFF wall switch must be pre-installed. Please arrange a registered electrician to prepare the socket outlet and ON/OFF wall switch before carrying out the installation of this appliance.

6. Switch the fan ON and check for excessive vibration or noise.
7. If fan is running as desired, secure the fascia by squeezing the spring fasteners and insert into the slot in the fan body. Check that the fascia is secured firmly and closely to the fan body.



Note: When installing the fan in a bathroom, the duct should decline downwards about 10 degrees.



WHEN INSTALLING WITH AN LED FASCIA

1. Remove the double-sided tape and attach the LED driver to the fan body. (See diag. 1)
2. Plug the Fan and LED driver into a socket outlet. Knock out the stamped tab in the motor body and feed the LED output connector through. (See diag. 2)
3. Secure fan body to the ceiling using the 3 clips and screw to tighten.
4. Connect the LED connector to the LED driver securely. (See diag. 3)
5. Push the LED cable connector back through the hole so the connectors are hidden in the ceiling cavity. (See diag. 4)

Diagram 1

Attach the LED driver to the fan body as shown

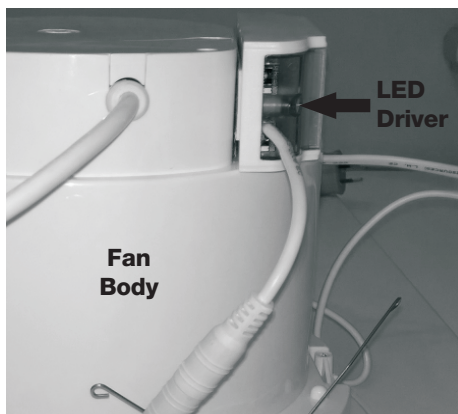


Diagram 2

Pull through connector



Diagram 3

Connect connector to the LED driver

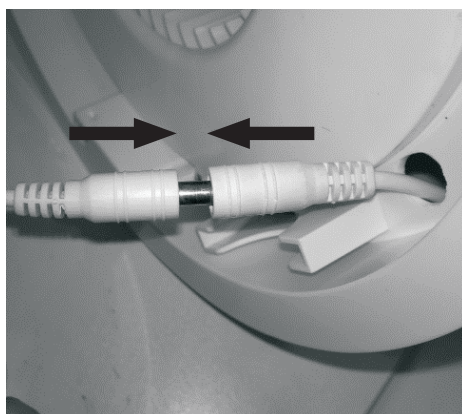


Diagram 4

Push LED connectors into ceiling



Note: LED lamp and LED driver are replaceable. To replace – disconnect female and male connectors and replace new LED lamp or LED driver.

Note: To avoid overheating DO NOT cover the LED driver with ceiling insulation.

6. Secure the fascia by squeezing the fastening springs and insert into the slots in the fan body. Check that the fascia is secured firmly and is sitting closely to fan body.

Note: Switch the fan on and check for excessive vibration or abnormal noise before installing the fascia.

Note: To change the colour on the Tri-Colour LED models, the switch is located on the driver.

WW = Warm White 3000K

NW = Natural White 4000K

CW = Cool White 6000k

Order Code	DCT4506/4507	DCT4508/4509	DCT4514/4515	DCT4516/4517
Power(W)	11	12	16	15
Warm White 3000K (Lumen)	932	1112	1294	1488
Natural White 4000K (Lumen)	1054	1197	1446	1601
Cool White 6000K (Lumen)	1046	1224	1443	1641



BEFORE REPAIRING THE FAN, MAKE SURE YOU HAVE TURNED OFF THE MAIN ELECTRICITY



MAINTENANCE CAUTIONS

1. Make sure the fan is always switched off before cleaning.
2. Make sure to use the fan with the specified voltage as stated on the rating sticker.
3. Never immerse any part of the fan in water or other liquids.
4. Never use flammable solvent for cleaning the fan.
5. Never allow water to contact the electrical parts such as switch and motor.
6. Never immerse blades or other resin parts in hot water over 60 °C.
7. Never install the fan under extreme hot environments.

CLEANING, STORAGE AND DISPOSAL

Before cleaning, turn the unit off, cut off the power supply from electrical outlet and wait for the unit to cool down.

- To clean the unit, use a soft cloth to wipe off any dust.
- Do not try to open the unit without a registered electrician. Improperly installed units can be dangerous.
- This product is in accordance with the relevant safety requirements. Repairs should only be carried out by registered electricians using original spare parts.

If you do not plan to use the fan for extended periods of time, it is recommended that it is cleaned and stored (preferably in its original packaging) in a cool, dry place.

Do not dispose of electrical products with household waste. Please check with your local council for advice on disposal or recycling.

If electrical appliances are disposed of in landfills or dumps, hazardous substances can leak into the groundwater and get into the food chain, damaging your health and well-being.

Distributed by Simx Limited
PO Box 14347, Panmure, Auckland 1741, New Zealand

e sales@simx.co.nz w www.manrose.co.nz

PUB1512 2206

Simx Warranty Information



In this warranty:

We means Simx;

You means the consumer of the Goods

Supplier means the authorised distributor or retailer that sold you the Goods in New Zealand or Australia;

and Goods means the Simx product accompanied by this warranty and purchased in New Zealand or Australia.

The benefits provided to you under the following warranty are in addition to any other rights and remedies available to you under the law:

1. If, during the time from the date of purchase (Warranty Period), there is a defect in the Goods due to improper workmanship or material, we will replace or repair the Goods without charge. Any replacement product is warranted only for the time remaining on the original Warranty Period.
2. We are not obliged to replace or repair the Goods under clause 1 if the Goods have been improperly stored, installed, connected, used, operated, repaired, damaged, abused, tampered with, altered (without our written approval), or not maintained in accordance with our recommended installation, connection and operating instructions.
3. We exclude liability for:
 - a) consequential loss or any other loss or damage caused to property or persons arising from any cause whatsoever;
 - b) damage to consumable items such as lamps and starters; and
 - c) damage arising from normal wear and tear.
4. In order to claim under this warranty you must, within the Warranty Period, return the Goods to the Supplier, together with the original proof of purchase including the details below:

Supplier Name _____
Date of Purchase _____
Model Number _____
Invoice/Receipt No. _____

5. This warranty does not cover the cost of claiming under the warranty or transporting the Goods to and from the Supplier.

Our Goods come with guarantees that cannot be excluded under the New Zealand and Australian Consumer Law. You are entitled to a replacement or refund for a major failure and for compensation for any other reasonably foreseeable loss or damage. You are also entitled to have the Goods repaired or replaced if the Goods fail to be of acceptable quality and the failure does not amount to a major failure.

To speak to someone about your Simx product or claiming under this warranty, please contact:

Simx Ltd New Zealand
p: +64 9 259 1660 f: +64 9 259 1661
www.simx.co.nz

CABAC
Electrical Wholesale Distributor within Australia
p: 133 122 e: sales@cabac.com.au
www.cabac.com.au

WESTAFLEX
HVAC Distributor within Australia
p: 03 9458 2122 e: sales@westaflex.com.au
www.westaflex.com.au