

MANROSE[®]
DESIGNER SERIES

HYPER150 EC

BATHROOM FAN

New Zealand's NO.1 Fan
leads the way with new variable speed
EC motor technology

NEW
VARIABLE

SPEED CONTROL
with 10m Control Cable



UPGRADED INSIDE
ECO
33%
less energy
POWER SAVING EC MOTOR

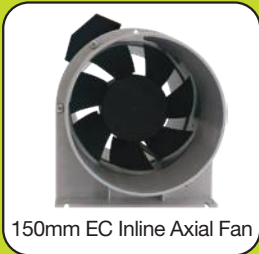


**Hyper150 EC Axial Fan with
Variable Speed Controller**

FAN7000

- Latest EC fan technology
- Continuously-variable speed controllable
- Environmentally friendly with 33% less energy used at just 18W
- Long life with lower operating temperature brushless technology
- Euro flush-box for variable speed control switch – included

Technical Specifications - at Full Speed



150mm EC Inline Axial Fan

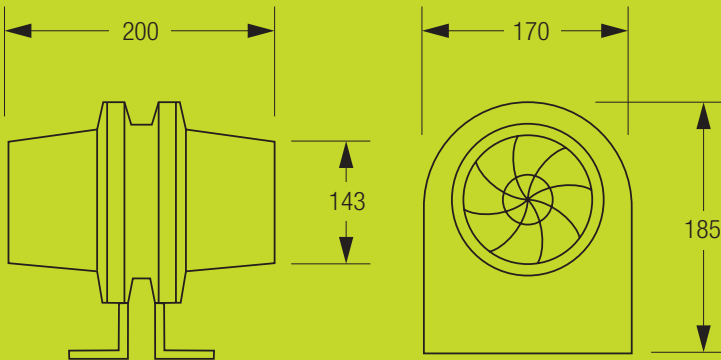
| | |
|---------------------------|--------------------------------|
| Supply | 110-240V AC 18W 50Hz |
| Maximum Pressure | 91 Pa |
| Max. Free-Air Performance | 105 l/s, 380m ³ /hr |
| Specific Fan Power | 0.17 W/l/s |
| Fan Construction | Die cast aluminium |
| Impeller & Outer Housing | PBT plastic |
| Maximum Operating Temp | 45°C |
| Sound Level | 38 db(A) |
| IP Rating | IP44 |



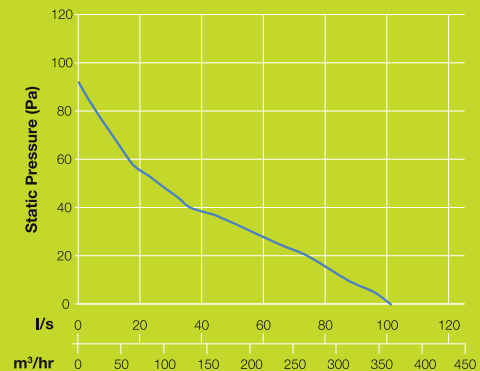
Variable Speed Controller

- OFF/ON switching for fitting to European flush box DCT4411 included
- 10m long control cable
- 3-pin plug with lead

Dimensions (mm)



Performance Curve - Full Speed



Fan Selection for Bathroom Applications

Hyper150 EC axial inline fan with variable speed controller is designed to meet New Zealand Building Code G4/AS1 and suitable for bathrooms with less complex duct runs at full speed.

The following chart provides a quick reference guide for Hyper150 EC axial inline fan with variable speed controller as being the right choice based on good ducting system selection and installation best practices being employed. Installation details in the Instruction Manual must be followed. Compliance with the building code remains the responsibility of the installer as it is dependant on how the duct and accessories are installed.

| Bathroom | Metres of Ducting | | | | | | | | | |
|----------|-------------------|---|---|---|---|---|---|---|---|----|
| | 1 | 2 | 3 | 4 | 5 | 6 | 7 | 8 | 9 | 10 |
| 25 l/s | ✓ | ✓ | ✓ | ✓ | ✓ | ✓ | ✓ | ✓ | ✓ | ✓ |
| 1 | ✓ | ✓ | ✓ | ✓ | ✓ | ✓ | ✓ | ✓ | ✓ | ✓ |
| 2 | ✓ | ✓ | ✓ | ✓ | ✓ | ✓ | ✓ | ✓ | ✓ | ✓ |
| 3 | ✓ | ✓ | ✓ | ✓ | ✓ | ✓ | ✓ | ✓ | ✓ | ✓ |
| 4 | ✓ | ✓ | ✓ | ✓ | ✓ | ✓ | ✓ | ✓ | ✓ | ✓ |
| 5 | ✓ | ✓ | ✓ | ✓ | ✓ | ✓ | ✓ | ✓ | ✓ | ✓ |

Legend: FAN7000 - Hyper150 EC Axial Fan with Variable Speed Controller (Full speed)

Fan Timer Selection

The FAN2444 fan timer model shown must be used for all Manrose Hyper150 EC axial inline fans and fan kits. Timer has fully adjustable 0 sec to 5 min delay start and fully adjustable run-on time after switching off of 0 sec to 20 min. This fan timer model can also be used with AC fans.

Old model FAN2444 (with resistor) and FAN0372 fan timers are only suitable for use with AC fans and must not be used with EC fans.

