

INSTALLATION INSTRUCTIONS



DECOSENSE MINI PIR

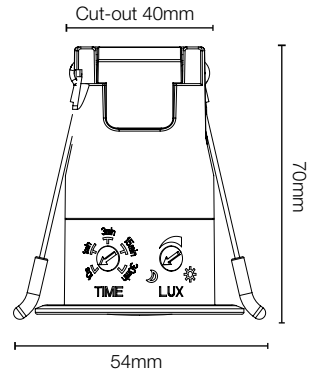
LHT1240 White

LHT1250 Black

Thank you for purchasing this SIMX DECOSENSE MINI Sensor. It requires a 230V AC Power Supply to operate and should be installed by a registered electrician. Please read this manual before installation and retain for future reference. It is suitable for sheltered exterior and wet area locations to IP54.

TECHNICAL SPECIFICATIONS

Detection angle	360° up to 6 mtr diameter
Power supply	220 - 240VAC 50Hz
Maximum switchable load	Max. 1000W incandescent (resistive load) Max.150W LED
Delay Time	From 10 (±5) seconds to 30 (±1) minutes adjustable
Lux Control	Adjustable Daylight to Night 2-2000lux
Cut out Ø	40-42mm
IP Rating	IP54
Warranty	3 Years



! IMPORTANT

SIMX strongly recommends that this sensor is installed by a suitably qualified and registered electrician. All electrical work must be carried out in accordance with local and national electrical codes as applicable.

Please read the entire Installation Instructions and Calibration Settings before installing this product.

Always switch power off prior to installation. A means of power isolation must be installed on the circuit for the purpose of safe access for any internal cleaning, recalibration or maintenance.

This appliance is not intended for installation or calibration by individuals (including children) with reduced physical, sensory or mental capabilities, or lack of experience or knowledge, unless they have been given supervision or instruction concerning its use by a person responsible for their safety.

There are no user-serviceable parts in this product. It is not suitable for use with dimmer switches.

Any changes or modifications made or attempted to this product without the prior written approval of the manufacturer will void any and all stated warranties. This excludes normal calibration of the TIME and LUX control knobs as described in these installation instructions.

BEFORE YOU START

To achieve best results, please consider the following points:

DECOSENSE MINI has a number of detection zones. A moving human body needs to cross/enter one of these zones to activate the sensor. The best all-round coverage is achieved with the unit mounted at the optimum height of 2.5m.

To avoid false triggering, the sensor should be directed away from heat sources such as light fixtures, air conditioners, flue vents etc. Ensure a minimum distance of 3m from any Wi-Fi router or camera to avoid RFI interference.

Do not aim towards reflective surfaces such as smooth white walls or benches, etc.

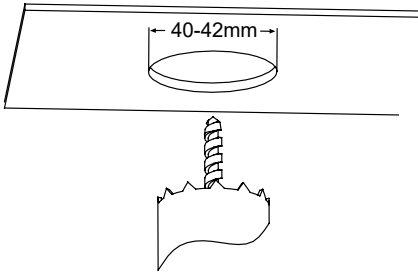
Before selecting a place to install your DECOSENSE MINI, note that movement across the detection area is more effective than movement directly toward or away from the sensor.

INSTALLATION

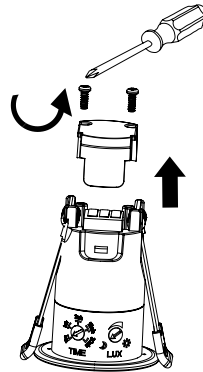
We strongly recommend this sensor is installed by a registered electrician.

Switch off the power supply before commencing any electrical work.

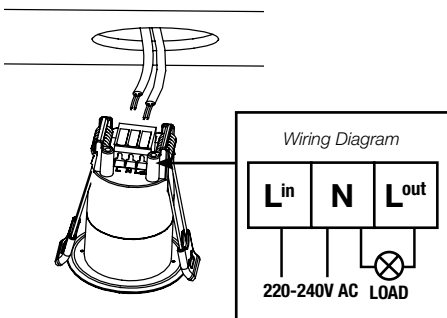
1. Drill a 40–42 mm diameter hole in the ceiling where you plan to install the sensor. Take care to avoid concealed cables and plumbing.



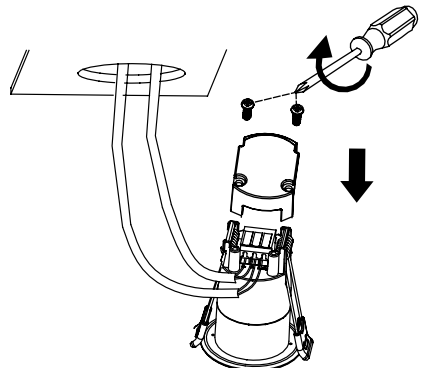
2. Unscrew the terminal cover and lever to remove.



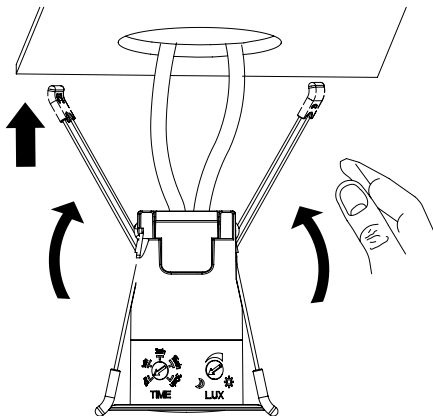
3. Connect the main power wires on the sensor to the terminals as labelled.



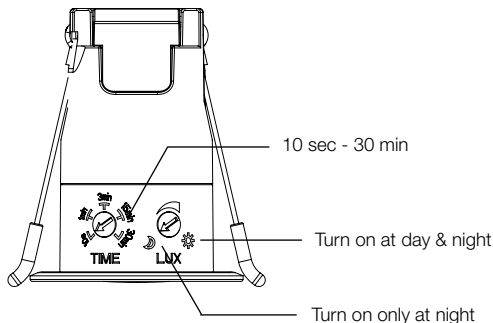
4. Secure the cables by clicking the terminal cover into position and screw in place.



5. Pull the side springs up, hold them and gently mount the sensor into the ceiling hole.



6. After finishing the fitting operation, you can adjust the detection area and working state of the PIR sensor.



OPERATING MODES

ADJUSTING THE LUX CONTROL LEVEL:

The LUX control has a built-in photocell that detects ambient light levels:

☀️ (Day Mode): The lights will activate on detection regardless of the light level (day and night operation)

🌙 (Night Mode): The lights will activate on detection only during nighttime.

You can set your preferred LUX control level to anywhere between the above max/min settings by adjusting the LUX knob.

ADJUSTING TIME CONTROL LEVEL :

The TIME control refers to how long the sensor keeps the lights on after detecting movement. It can be adjusted from (10±5) seconds to (30±1) minutes.

Note: Once activated, each subsequent detection will restart the timer. For your convenience, the dial shows approximate preset time values for easier adjustment.

MANUAL OVERRIDE SETTING

While in Auto Mode, you can switch to Manual Mode by toggling the ON/OFF wall switch twice (OFF → ON → OFF → ON) within 3 seconds. In Manual Mode, the connected lights will remain ON for 8 hours before automatically reverting to Auto Mode.

To exit Manual Mode and return to Auto Mode manually, toggle the ON/OFF wall switch twice (OFF → ON → OFF → ON) within 3 seconds.

To ensure your sensor captures this command, toggle the wall switch at the same speed as you would say OFF-ON-OFF-ON.

MANUFACTURERS EXTENDED WARRANTY

This product is guaranteed by SIMX Ltd for 3 years from the date of purchase against faulty materials or workmanship which affects its designed ability to detect or switch. During this period if the product has a defect of this nature it will be repaired or replaced free of charge by SIMX with the same item, or a similar one of higher specification. ON CONDITION THAT:

The buyer returns it to the seller from whom it was bought, freight paid.

The product has been bought by the user. ie a receipt/sales invoice is produced as proof of purchase.

The product has not been misused or handled carelessly, installed in any way contrary to the installation instructions, used on a supply voltage other than that indicated in the product specifications, or installed in any unusually exposed or harsh environmental conditions.

This guarantee excludes liability for discolouration of paint or plastic, or any user serviceable parts. It does not confer any rights other than those expressly set out above and does not cover any claims for consequential loss or damage.

Our Goods come with guarantees that cannot be excluded under the New Zealand Consumer Law. You are entitled to a replacement or refund for a major failure and for compensation for any other reasonably foreseeable loss or damage. You are also entitled to have the Goods repaired or replaced if the Goods fail to be of acceptable quality and the failure does not amount to a major failure.



Distributed in New Zealand by Simx Ltd

Ph: +64 9 259 1660 | Technical Support Ph: +64 9 259 1662

e: sales@simx.co.nz | www.simx.co.nz

Specifications are subject to change without notice

PUB1882 2510