



MANROSE[®]

Product Catalogue

**HAND
DRYERS**

Table of Contents

Manrose Air Tap Fixed 165mm/330mm	286
Manrose Air Tap Pivot 330mm	288
Manrose Water + Air Tap	289
Thin Dry	290
Jetstream	291
Vento	292
Rapid Dry	293
Fast Dry	294
Easy Dry	295
Tempesta	296
Side Draft	297
Accessories	298

Manrose Air Tap Fixed 165mm/330mm

Manrose high-speed air taps are a revolutionary design helping save space in the washroom and allow hands to be dried without moving from the sink, eliminating water drips on the floor. With built-in double filtration (HEPA + filter) for increased hygiene. Speed & Sound control to accommodate any basin shape without splashing, along with 2 temperature settings for energy savings. 3 year warranty.



Height (mm)	Fan Input (W)	Heater Input (W)	Adjustable Air Speed (m/s)	Dry Time (sec)	Housing	Colour	Order Code
165	550	750	90	10 - 15 (approx)	SS304/ABS	Black	FAN7438
						Polished Chrome	FAN7439
Black						FAN7440	
Polished Chrome						FAN7441	
330	Replacement HEPA Filter (Replace every 6-12 months based on usage)						FAN7445

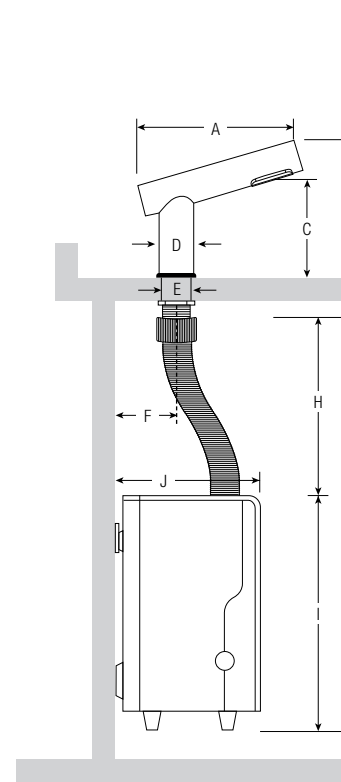
- Auto operation via PIR sensor
- 2 Temperature control mode for energy savings
- 4 Level adjustable speed for sound and splash control
- Intelligent system
 - Power-off memory function
 - Intelligent temperature control
 - Respiration light reminder function

General Information

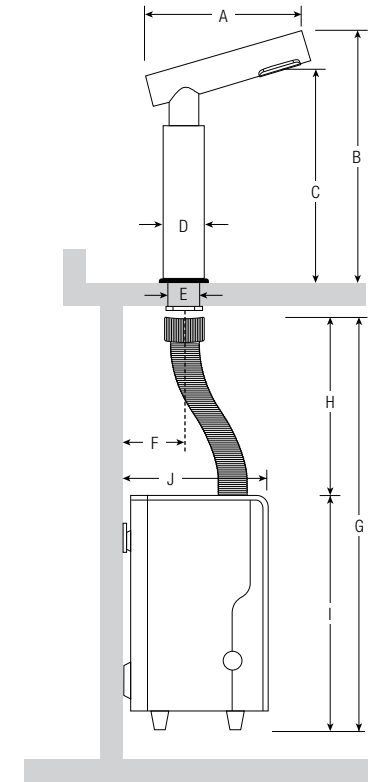
Supply	220-240V AC
Filter	HEPA + Coarse Particulate Filter
Auto Shut Off (sec)	45
Standby Power	≤ 2.2W
Sensing Type	Touch-free infrared
Sound Level @ 1m	75 dB(A)
Safety	Class II
IP Rating	IP24

Dimensions (mm)

Model	A	B	C	D	E	F	G	H	I	J	Net Weight (kg)
FAN7438 FAN7439	204	165	114	Ø42	Ø35	≥ 35	865	550	315	191 x 191	4.9
FAN7440 FAN7441	224	329	280								5.2



FAN7438 FAN7439



FAN7440 FAN7441

Manrose Air Tap Pivot 330mm

The Manrose 340° pivot air tap helps to save space in the washroom or kitchen and allows hands to be dried without moving from the sink, eliminating water drips on the floor. With built-in double filtration (HEPA + filter) for increased hygiene, this model comes with touch control for manual operation, especially useful for domestic use. 3 year warranty.



Fan Input (W)	Heater Input (W)	Adjustable Air Speed (m/s)	Dry Time (sec)	Housing	Colour	Order Code
550	750	90	10 - 15 (approx)	SS304/ABS	Black	FAN7442
					Polished Chrome	FAN7443
Replacement HEPA Filter (Replace every 6-12 months based on usage)						FAN7445

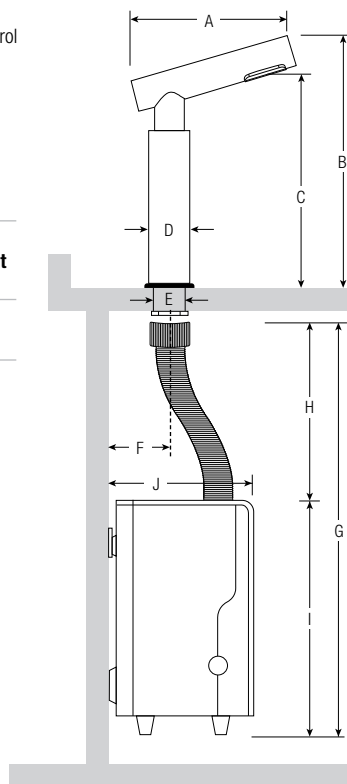
- Manual operation via touch button
- 2 Temperature control mode for energy savings
- 4 Level adjustable speed for sound and splash control
- Intelligent system
 - Power-off memory function
 - Intelligent temperature control
 - Respiration light reminder function

Dimensions (mm)

A	B	C	D	E	F	G	H	I	J	Net Weight (kg)
224	326	277	Ø42	Ø35	≥ 35	865	550	315	191 x 191	5.3

General Information

Supply	220-240V AC
Filter	HEPA + Coarse Particulate Filter
Auto Shut Off (sec)	45
Standby Power	≤ 2.2W
Sensing Type	Capacitive Touch
Sound Level @ 1m	75 dB(A)
Safety	Class II
IP Rating	IP24



Manrose Water + Air Tap

Optimum hand cleaning efficiency to complete washing and drying without leaving the sink. No waste water on the floor. Built-in double filtration (HEPA + filter) for increased hygiene.

Speed & Sound control to accommodate any basin shape without splashing, along with 2 temperature settings for added energy savings. A perfect combination of hand dryer technology and water tap. 3 year warranty.



Fan Input (W)	Heater Input (W)	Adjustable Air Speed (m/s)	Dry Time (sec)	Housing	Colour	Order Code
550	650	90	10 - 15 (approx)	SS304/ABS	Polished	FAN7444
Replacement HEPA Filter (Replace every 6-12 months based on usage)						FAN7445

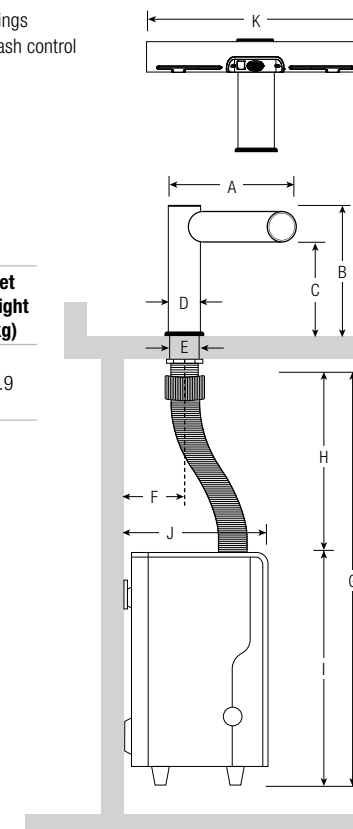
- Auto operation via PIR sensor
- 2 Temperature control mode for energy savings
- 4 Level adjustable speed for sound and splash control
- Intelligent system
 - Power-off memory function
 - Intelligent temperature control
 - Respiration light reminder function

Dimensions (mm)

A	B	C	D	E	F	G	H	I	J	K	Net Weight (kg)
182	152	108	Ø42	Ø35	≥ 35	865	550	315	191 x 191	300	5.9

General Information

Supply	220-240V AC
Filter	HEPA + Coarse Particulate Filter
Auto Shut Off (sec)	45
Standby Power	≤ 2.2W
Sensing Type	Touch-free infrared
Sound Level @ 1m	75 dB(A)
Safety	Class II
IP Rating	IP24



Thin Dry

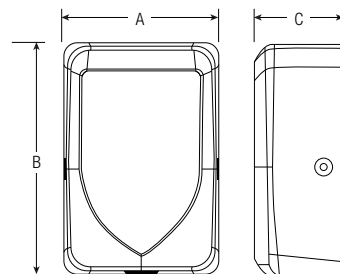
This slim model is suitable for behind mirror applications, and in areas where space is at a premium. An excellent solution for disabled person washrooms. An internal UV-C chamber sterilises the air before contact is made with hands. Able to switch heat element off for energy saving in Summer months. 5 year warranty.



Fan Input (W)	Heater Input (W)	Air Speed (m/s)	Dry Time (sec)	Housing	Colour	Order Code
600	400	100	10 - 12 (approx)	SS304	White	FAN7418
					Black	FAN7419
					Brushed	FAN7420

Dimensions (mm)

Model	A	B	C	Net Weight (kg)
FAN7418 FAN7419 FAN7420	174	256	102	2.5



General Information

Model	FAN7418	FAN7419	FAN7420
Supply	220-240V AC		
Filter	Coarse Particulate Filter		
UV-C Sterilisation	Yes		
Auto Shut Off (sec)	60		
Manual Switch Heat Off	Yes		
Sound Level @ 1m	74 dB(A)		
Safety	Class I		
IP Rating	IP23		
IK Rating	IK08		

Jetstream

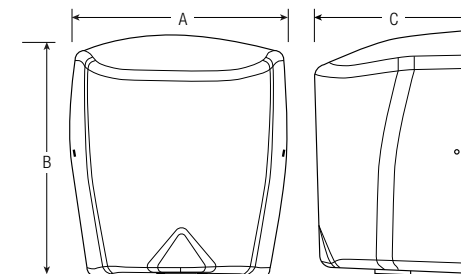
Jetstream provides an efficient and hygienic hand drying solution. Blue Dry Zone LED indicator gives visible indication to ensure hands are placed in the warm air stream. Able to switch heat off for energy saving in Summer months. Auto shut off after 60sec to prevent overheating or continuous running. 5 year warranty.



Fan Input (W)	Heater Input (W)	Air Speed (m/s)	Dry Time (sec)	Housing	Colour	Order Code
550	800	80	9 - 11 (approx)	SS304	White	FAN7427
					Polished	FAN7428

Dimensions (mm)

Model	A	B	C	Net Weight (kg)
FAN7427 FAN7428	238	267	175	3.8



General Information

Model	FAN7427	FAN7428
Supply	220-240V AC	
Filter	Coarse Particulate Filter	
Auto Shut Off (sec)	60	
Manual Switch Heat Off	Yes	
Sound Level @ 1m	70 dB(A)	
Safety	Class I	
IP Rating	IP23	
IK Rating	IK08	

Recommended Mounting Heights for All Compact Wall Dryers (to bottom of the unit)

Men's Washrooms	1000mm
Women's Washrooms	960mm
Disabled Washrooms	860mm
Children's Washrooms	
10-13 years	910mm
7-10 years	860mm
4-7 years	812mm

Vento

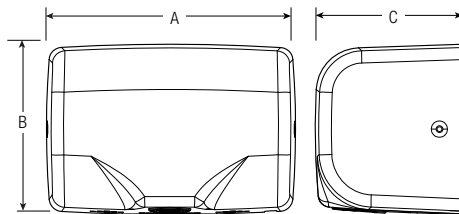
This modern hand dryer offers excellent standards of hygiene and durability. With adjustable speed & sound control for reduced energy use, and moderating noise in smaller spaces, the dryer can also be set to hot or cold air. 3 year warranty.



Fan Input (W)	Heater Input (W)	Adjustable Air Speed (m/s)	Dry Time (sec)	Housing	Colour	Order Code
500	850	100	9 - 11 (approx)	SS304	White	FAN7421
					Black	FAN7422

Dimensions (mm)

Model	A	B	C	Net Weight (kg)
FAN7421 FAN7422	256	173	152	3.5



General Information

Model	FAN7421	FAN7422
Supply	220-240V AC	
Filter	Coarse Particulate Filter	
Speed & Sound Control	Yes	
Intelligent Auto Heat Off	≥ 25°C	
Auto Shut Off (sec)	60	
Manual Switch Heat Off	Yes	
Sound Level @ 1m	70 dB(A)	
Safety	Class I	
IP Rating	IP23	
IK Rating	IK08	

Rapid Dry

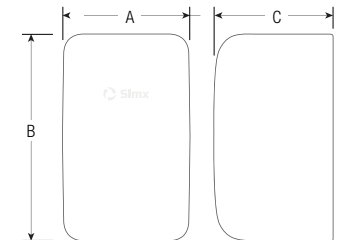
An internal UV-C chamber sterilises the air before contact is made with hands. Intelligent control only switches the heat element on when ambient temperature is <25°C, saving energy when not needed. The robust stainless steel casing provides protection in higher risk areas. Auto shut off after 45sec to prevent overheating or continuous running. 2 year warranty.



Fan Input (W)	Heater Input (W)	Air Speed (km/hr)	Dry Time (sec)	Housing	Colour	Order Code
500	650	216	10-15 (approx)	1.2mm Stainless Steel 304	Brushed Stainless	FAN6855

Dimensions (mm)

Model	A	B	C	Net Weight (kg)
FAN6855	172	253	145	3.0



General Information

Supply	220-240V AC
Filter	Coarse Particulate Filter
UV-C Sterilisation	Yes
Auto Shut Off (sec)	45
Intelligent Auto Heat Off	≥ 25°C
Manual Switch Heat Off	Yes
Sound Level @ 1m	72 dB(A)
Safety	Class I
IP Rating	IPX1
IK Rating	IK08

Recommended Mounting Heights for All Compact Wall Dryers (to bottom of the unit)

Men's Washrooms	1000mm
Women's Washrooms	960mm
Disabled Washrooms	860mm
Children's Washrooms	
10-13 years	910mm
7-10 years	860mm
4-7 years	812mm

Fast Dry

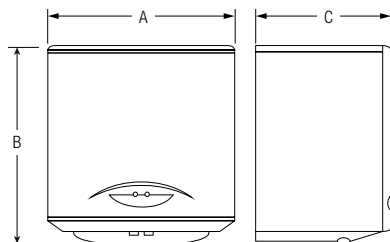
Linear air output for increased velocity, and reduce usage time. Low energy consumption and quiet operation delivering outstanding performance. Able to switch heat element off for energy saving in Summer months. 2 year warranty.



Fan Input (W)	Heater Input (W)	Air Speed (m/s)	Dry Time (sec)	Housing	Auto Switching	Colour	Order Code
650	450	95	10-15 (approx)	ABS	Yes	White	FAN5653

Dimensions (mm)

Model	A	B	C	Net Weight (kg)
FAN5653	248	250	178	3.2



General Information

Supply	220-240V AC
Filter	Coarse Particulate Filter
Auto Shut Off (sec)	60
Switch Heat Off	Yes
Sound Level	70 dB(A)
Safety	Class II
IP Rating	IPX1
IK Rating	IK08

Easy Dry

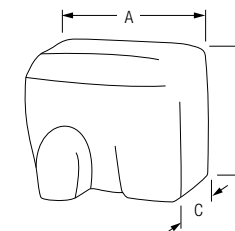
This model is designed for heavy usage in public areas such as lavatories, factories, schools, railways and motorway service stations. A solid aluminium housing offers significant protection in areas prone to vandalism. 2 year warranty.



Total Power (kW)	Free Air Output (l/s)	Dry Time (sec)	Housing	Switching	Colour	Order Code
2.0	108	25-30 (approx)	3mm Aluminium	Auto	White	FAN4396
					Silver	FAN4395

Dimensions (mm)

Model	A	B	C	Net Weight (kg)
FAN4396 FAN4395	225	275	160	4.7



General Information

Model	FAN4396 FAN4395
Supply	220-240V AC
Auto Shut Off (sec)	25
Sound Level @ 1m	69 dB(A)
Safety	Class I
IP Rating	IPX1
IK Rating	IK10

Recommended Mounting Heights for All Compact Wall Dryers (to bottom of the unit)

Men's Washrooms	1000mm
Women's Washrooms	960mm
Disabled Washrooms	860mm
Children's Washrooms	
10-13 years	910mm
7-10 years	860mm
4-7 years	812mm

Tempesta

Delivering optimum hygiene with UV-C sterilisation chamber, HEPA filter, plus particulate filter. With adjustable Speed & Sound control, for reduced energy use, and moderating noise in smaller spaces. Friendly drying indicator, with 25 seconds auto shut off to prevent overheating or continuous running. Droplet reservoir includes overflow pipe connector. Tough high-impact ABS plastic housing. 3 year warranty.

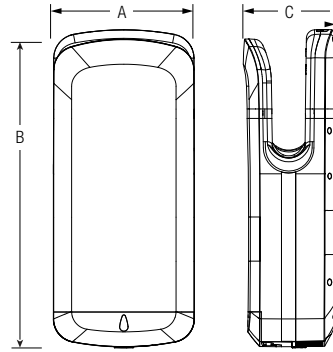


Fan Input (W)	Heater Input (W)	Adjustable Air Speed (m/s)	Dry Time (sec)	Housing	Colour	Order Code
1250	400	140	8 - 10	ABS Plastic	White	FAN7423
Replacement HEPA Filter (Replace every 6-12 months based on usage)						FAN7446

- Drying countdown indicator
- Switch heat on/off for Summer energy savings
- Includes overflow pipe connector from reservoir

Dimensions (mm)

Model	A	B	C	Net Weight (kg)
FAN7423	297	671	195	8.8



Technical

Model	FAN7423
Supply	220-240V AC
Filter	HEPA + Coarse Particulate Filter
UV-C Sterilisation	Yes
Speed & Sound Control	Yes
Intelligent Auto Heat Off	> 25°C
Auto Shut Off (sec)	25
Manual Switch Heat Off	Yes
Sound Level @ 1m	65 dB(A)
Safety	Class II
IP Rating	IPX4
IK Rating	IK07

Side Draft

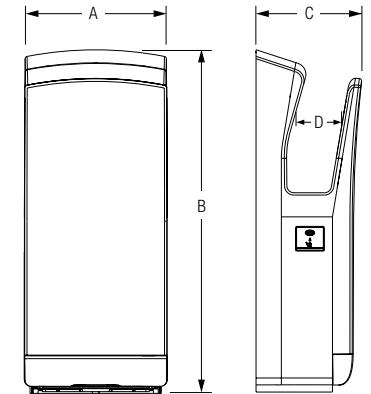
Automatically adds heat to the airflow if it senses room temperature drop below 25°C. In-built drip tray included. An ultra modern design and tough stainless steel case to protect against corrosion and vandalism. 2 year warranty.



Fan Input (W)	Heater Input (W)	Air Speed (m/s)	Dry Time (sec)	Housing	Colour	Order Code
800	850	95	10-15	1.2mm Stainless Steel 304	Brushed Stainless	FAN5655
Replacement HEPA Filter (Replace every 6-12 months based on usage)						FAN7429

Dimensions (mm)

Model	A	B	C	D	Net Weight (kg)
FAN5655	300	730	222	95	11.2



Technical

Model	FAN5655
Supply	220-240V AC, 50Hz
Filter	HEPA
Intelligent Heat Off	> 25°C
Auto Shut Off (secs)	30
Sound Level @ 1m	36 dB(A)
Safety	Class I
IP Rating	IPX4
IK Rating	IK08

Recommended Mounting Heights for Tempesta & Side Draft Dryers (to top of mounting bracket)

Men's Washrooms	850mm
Women's Washrooms	800mm
Disabled Washrooms	730mm



Description	Dimensions H x W x D (mm)	Order Code
<p>Manrose Hand Dryer Recess Kit Brushed stainless steel 304 with welded construction, reducing the intrusion of the heater into the space. Movable backplate chain for easier install/maintenance.</p>	660 x 365 x 100	FAN7426

(Indent only for project supply, specific models only)



Description	Dimensions H x W x D (mm)	Colour	Order Code
<p>Manrose 4mm Splash Guards Stainless Steel 304 wall guard to protect walls from water droplets and simplify cleaning. (3.2m 3M adhesive tape included)</p>	800 x 400 x 1.4	White	FAN7424
		Brushed	FAN7425

