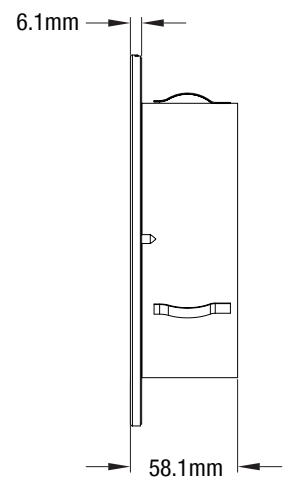
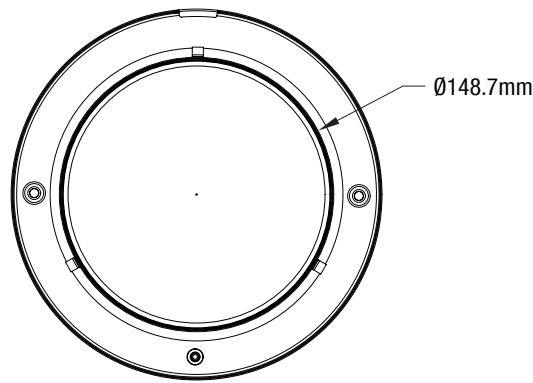
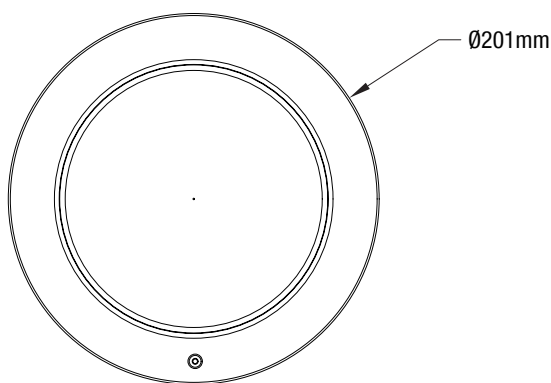




BAL40 COMPLIANT VENT

EXTERNAL EAVE VENT

- 304 Grade Stainless steel
- Bushfire Attack Level BAL40 compliant
- Cinder mesh with 2mm aperture
- Sleek in design
- Easy Install
- Detachable panel for easy clean and maintenance



Model	Material	Fascia Size	Cut Out Size
V150BAL40E	304 Stainless Steel	Ø201mm	Ø150mm