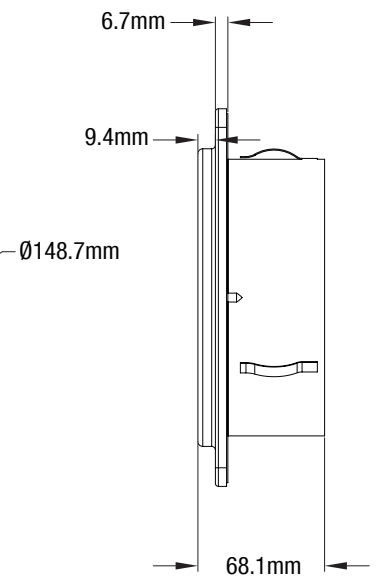
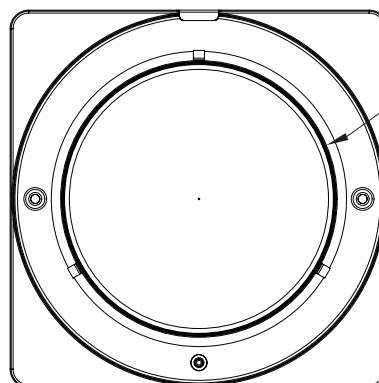
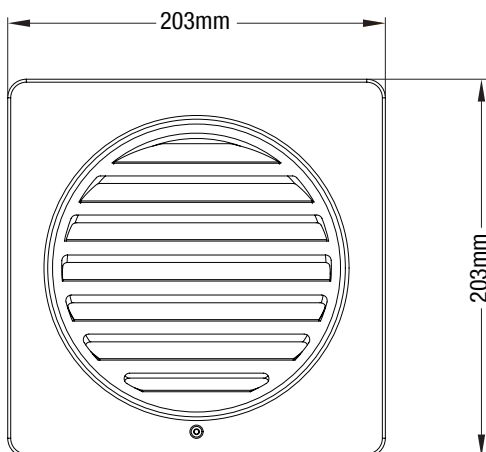




# BAL40 COMPLIANT VENT

## EXTERNAL WALL VENT

- 304 Grade Stainless steel
- Bushfire Attack Level BAL40 compliant
- Cinder mesh with 2mm aperture
- Sleek in design
- Easy Install
- Detachable panel for easy clean and maintenance



| Model      | Material            | Fascia Size | Cut Out Size |
|------------|---------------------|-------------|--------------|
| V150BAL40W | 304 Stainless Steel | 203 x 203mm | Ø150mm       |