



# Product Catalogue

---

HAND  
DRYERS

---

## Table of Contents

Rapid Dry	230
Fast Dry	231
Easy Dry	232
Side Draft	233

# Hand Dryers

## Rapid Dry

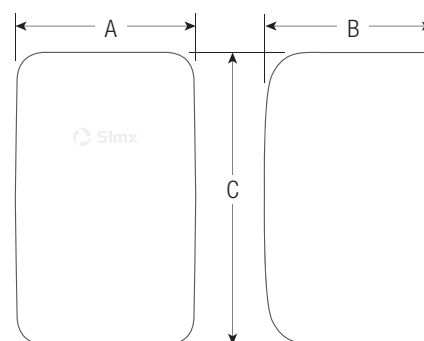
Intelligent control switches the heat element off when ambient temperature is  $>25^{\circ}\text{C}$ , automatically saving energy when not needed. To prevent any chance of overheating, the auto stop function activates after 40 secs drying time. A robust stainless steel casing provides protection in high risk areas. 2 year commercial warranty.



Fan Input (W)	Heater Input (W)	Air Speed (km/hr)	Dry Time (sec)	Drying Distance (cm)	Housing	Colour	Order Code
500	650	216	10-15 (approx)	15-20	1.2mm Stainless Steel 304	Brushed Stainless	FAN6855

## Dimensions (mm)

Model	A	B	C	Weight (kg)
FAN6855	172	145	253	3.0



## Technical

<b>Model</b>	<b>FAN6855</b>
<b>Supply</b>	220-240V AC, 50Hz
<b>Filter</b>	Yes
<b>Auto Shut Off (secs)</b>	45
<b>Switch Heat Off</b>	Yes
<b>Sound Level @ 1m</b>	72 dB(A)
<b>Safety</b>	Class I
<b>IP Rating</b>	IP13

## Recommended Mounting Heights for Compact Wall Dryers

Men's Washrooms	1200mm
Women's Washrooms	1150mm
Disabled Washrooms	950mm
Children's Washrooms	
10-13 years	1000mm
7-10 years	900mm
4-7 years	800mm

## Fast Dry

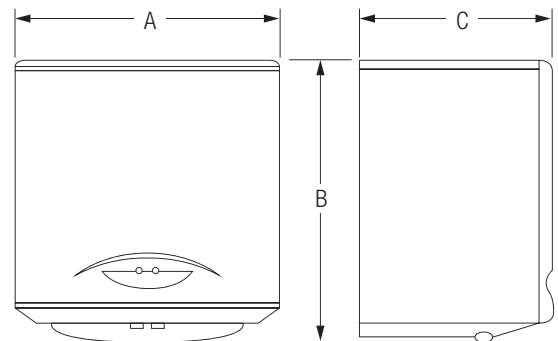
Low energy consumption and quiet operation delivering outstanding performance. Chip controlled technology and infrared sensor. 2 year commercial warranty.



Fan Input (W)	Heater Input (W)	Air Speed (m/sec)	Dry Time (sec)	Auto Stop (sec)	Housing	Colour	Switchable Heater Element	Order Code
650	450	95	10-15 (approx)	60	ABS	White	Yes	FAN5653
						Silver	Yes	FAN5654

## Dimensions (mm)

Model	A	B	C	Weight (kg)
<b>FAN5653</b>	248	250	178	3.2
<b>FAN5654</b>	248	250	178	3.2



## Technical

Model	<b>FAN5653</b> <b>FAN5654</b>
<b>Supply</b>	220-240V AC, 50Hz
<b>Filter</b>	Yes
<b>Auto Shut Off (secs)</b>	60
<b>Switch Heat Off</b>	Yes
<b>Sound Level @ 1m</b>	36 dB(A)
<b>Safety</b>	Class II
<b>IP Rating</b>	IPX1

# Hand Dryers

## Easy Dry

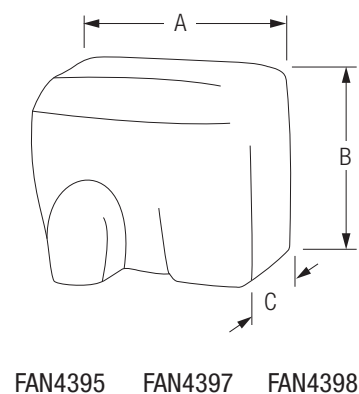
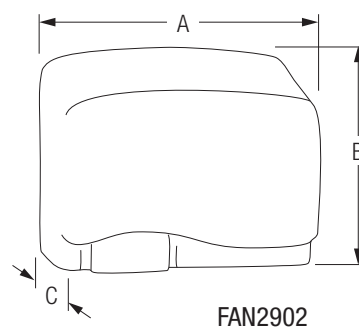
These models are suitable for use in public areas such as lavatories, factories, schools railways and motorway service stations and are designed for heavy usage. The aluminium model offers significant protection in areas prone to vandalism. 2 year warranty.



Total Power (kW)	Free Air Output (l/s)	Housing	Switching	Colour	Order Code
1.5	56	ABS Thermoplastic	Auto	White	FAN2902
2.0	108	3mm Aluminium	Auto	White	FAN4398
				Black	FAN4397
				Silver	FAN4395

### Dimensions (mm)

Model	A	B	C	Weight (kg)
FAN2902	225	275	160	3.3
FAN4395 FAN4397 FAN4398	225	275	160	4.7



### Technical

Model	FAN2902	FAN4395 FAN4397 FAN4398
Supply	220-240V AC, 50Hz	
Sound Level @ 1m	54 dB(A)	69 dB(A)
Safety	Class I	Class I
IP Rating	IPX1	IPX1

## Side Draft

Automatically adds heat to the airflow if it senses room temperature drop below 25°C. In-built drip tray included. An ultra modern design and tough stainless steel case to protect against corrosion and vandalism. 2 year warranty.



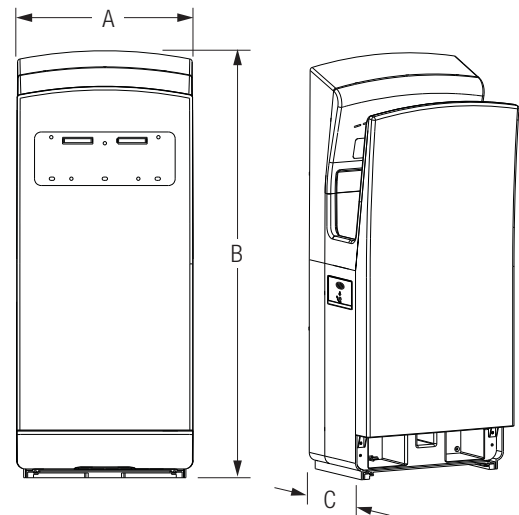
Fan Input (W)	Heater Input (W)	Air Speed (m/sec)	Dry Time (sec)	Housing	Colour	Order Code
800	800	95	10-15	1.2mm Stainless Steel 304	Brushed Stainless	FAN5655

## Dimensions (mm)

Model	A	B	C	Weight (kg)
FAN6855	300	730	222	11.2

## Technical

<b>Model</b>	<b>FAN5655</b>
<b>Supply</b>	220-240V AC, 50Hz
<b>Filter</b>	Yes
<b>Auto Shut Off (secs)</b>	30
<b>Auto Heat Off</b>	> 25°C
<b>Sound Level @ 1m</b>	36 dB(A)
<b>Safety</b>	Class I
<b>IP Rating</b>	IPX4



## Recommended Mounting Heights for Side Draft Dryers (to top of mounting bracket)

Men's Washrooms	850mm
Women's Washrooms	850mm
Disabled Washrooms	730mm