

ELSA-2 DL 225 OP 110° 1800 840 MD IR WH

Item number E010299032
GTIN 4015120299032

ON/OFF	220 - 240 V ~/~	LED 4000 K	CRI 80	Phi 1750 lm	97 lm/W	UGR ≤ 25
	Ø 8 m					



Technical data

GENERAL	
Device category	Downlight
Product information	Do not cover the downlight directly with insulating material.
User interface	IR remote control, Push button input
Remote controllable	✓
Conformity	CE, EAC, RoHS, WEEE
Warranty	5 years
ATTACHMENT	
Installation type	Recessed mounting
Installation position	Ceiling
Installation dimension	Installation depth: 70 mm, Ø 225 mm
Type of connection	Push terminal
Connectable wire cross section	0.5 - 2.5 mm ²
Number of contacts	5
HOUSING	
Dimensions	Height 60 mm, Ø 240 mm
Weight	1284 g
Material	powder-coated aluminium
Protection type	IP20
Permissible ambient temperature	-20 °C...+40 °C
Relative humidity	5 - 93 %, non-condensing
Colour	white, similar to RAL 9003
Glow wire test in accordance with IEC 60695-2-10	650 °C
ELECTRICAL VERSION	
Control system	ON/OFF
Protection class	I

Product description

- LED downlight, 4000K with opal cover (diffuser), 18W, for ceiling mounting without additional accessories
- High light quality and system performance
- Operating device on/off, included
- Integrated COMPACT MINI motion detector with 360°
- field of detection
- Range of up to 8 m in diameter at a recommended installation height of 3 m (maximum installation height 5 m) for use in small rooms and passageways with no or little natural lighting
- 16-A high-performance relay (tungsten pre-contact) optimised for switching LED lighting
- Switching output for connecting additional lights
- Default settings ensure immediate operability

Offers special product features like:

- Integrated motion detector

Nominal voltage	220 - 240 V AC/DC / 50 - 60 Hz
Stand-by consumption	< 0.5 W

LIGHT	
Diffuser	opal
Light emission	direct
Beam angle	110 °
Unified Glare Rating	≤ 25
Flicker factor	0 %
Rated output P	18 W
Luminous flux - min	1750 lm
Luminous flux - max	1750 lm
Luminous efficacy - min	97 lm/w
Luminous efficacy - max	97 lm/w
Colour temperature	4000 K
Colour rendering index Ra	> 80
Colour tolerance	2 SDCM
Color Quality Scale	>80
L70B10 lifetime at 25 °C	60000 h
Life time L70B50 at 25 °C	60000 h
Life time L80B10 at 25 °C	40000 h
Life time L80B50 at 25 °C *	40000 h
Life time L90B10 at 25 °C	20000 h
Life time L90B50 at 25 °C	20000 h
Photobiological safety	RG0

SENSORS	
Detection angle	360°
Detection range diagonally	Ø 8 m

ELSA-2 DL 225 OP 110° 1800 840 MD IR WH

Item number	GTIN
EO10299032	4015120299032

Detection range head-on	Ø 5 m
Field of detection	50 m ²
Range adjustment	mechanically with included cut to size lens mask
Recommended installation height	2.5 m
Max. mounting height	5 m
Light measurement	mixed light
Level of brightness	10 – 2000 lx

CHANNELS (LIGHTING / HVAC)

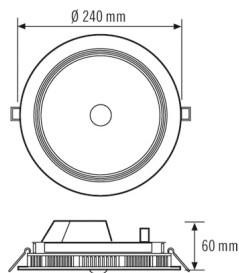
Number of light channels	1
Push button input lighting	1

Push button input HVAC	-
Number of parallel switchable detectors	8
Channel	C1 Lighting
Function	Switching
Switching capacity	230 V/50 Hz, 16 AX 2300 W/10 A (cos phi = 1) 1150 VA/5 A (cos phi = 0,5) 600 W LED
Switch contact	make contact / non-floating
Push button input	✓
Impulse mode	✓
Switch-off delay time	60 s...15 min (adjustable in steps)

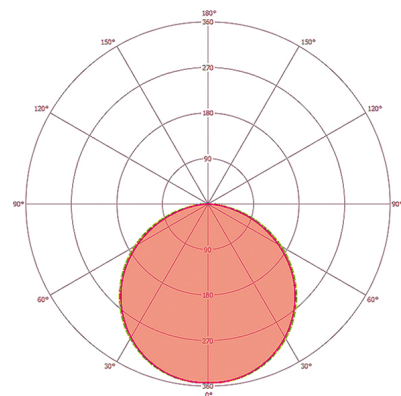
Accessories

Product designation	Item number	Product description	GTIN
Adapter			
ELSA-2 RING 225	EO10300264	Adapter ring 225–265 mm for ELSA-2 series	4015120300264
Electrical accessories			
JUNCTION BOX 5-POLE BK	EO10430992	Universal junction box, black, 5-pin, 2.5 mm ²	4015120430992
Mounting			
ELSA-2 MOUNTING FRAME 225 SM WH	EO10300899	Ceiling installation frame for ELSA-2 225 series	4015120300899
Remote control			
ESY-Pen	EP10425356	ESY-Pen and ESY-App, two tools for every task: (1) Parameterisation, (2) remote control, (3) light measurement, (4) project management	4015120425356
REMOTE CONTROL MDi/PDi	EM10425509	IR remote control for presence detectors and motion detectors	4015120425509

Dimension drawing

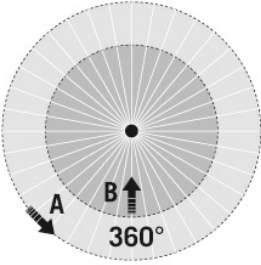
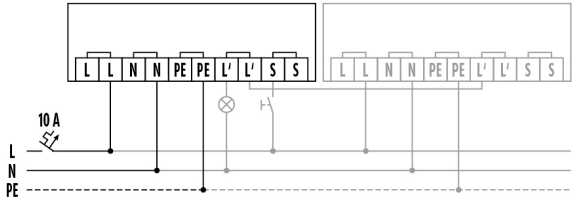


Lichtverteilung



ELSA-2 DL 225 OP 110° 1800 840 MD IR WH

Item number **GTIN**
 EO10299032 4015120299032

Field of detections	Detection range	Circuit diagram
	<p>■ Diagonally (A)</p> <p>Ø 8 m</p>	
	<p>■ Frontal (B)</p> <p>Ø 5 m</p>	

Standard with optional control via a closing button and parallel wiring of max. ten devices.

Detailed product description

- LED downlight, 18 W for ceiling mounting
- Recessed luminaire with opal cover (diffuser)
- High-quality housing, aluminium lamp body, white powder-coated (RAL 9003)
- Can be used for ceiling mounting without additional accessories
- Colour temperature: 4000 K with the lowest colour tolerances
- Luminous flux: 1750 lm
- Rated life time L80B50 at 25 °C: 40000 h
- Operating device: on/off (included)
- Integrated COMPACT MINI motion detector with 360°
- field of detection
- Range of up to 8 m in diameter at a recommended installation height of 3 m (maximum installation height 5 m) for use in small rooms and passageways with no or little natural lighting
- With 16-A high-performance relay (tungsten pre-contact), ideal for switching capacitive loads such as LED lights
- Default settings ensure immediate operability
- Simple programming using remote control
- Extension of the field of detection with parallel connection of max. 8 detectors