

## ELSA-2 MOUNTING FRAME 225 SM WH

**Item number**

EO10300899

**GTIN**

4015120300899

**Product description**

- Surface-mounted ceiling frame 225 for ELSA series downlights



**Technical data**

**GENERAL**

Device category	Mounting
Warranty	5 years

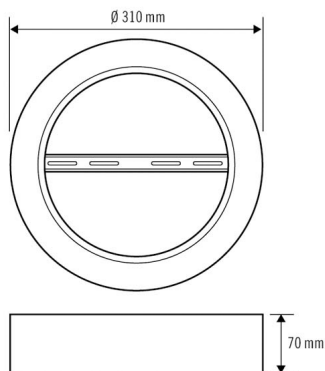
**ATTACHMENT**

Installation type	Surface mounting
Installation position	Ceiling

**HOUSING**

Dimensions	Height 70 mm, Ø 310 mm
Weight	800 g
Material	Varnished steel
Protection type	IP20
Colour	white, similar to RAL 9003

**Dimension drawing**



**Detailed product description**

- Surface-mounted ceiling frame 225 for ELSA series downlights, Colour: white